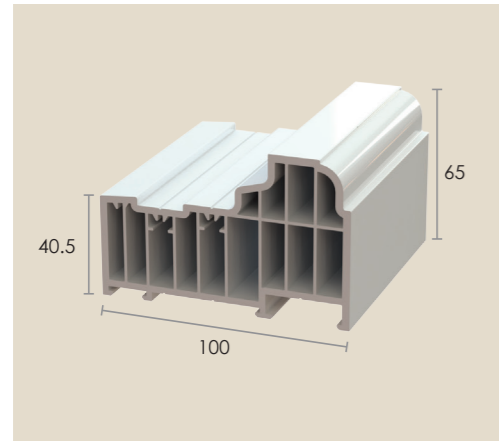


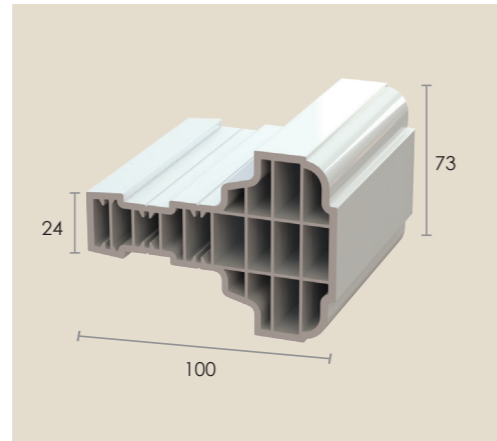
RESIDENCE 9 COLLECTION - MAIN PROFILES & REINFORCEMENTS



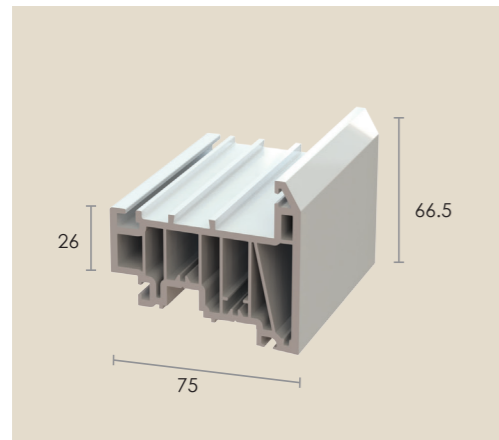
R002 Residence 9 Frame



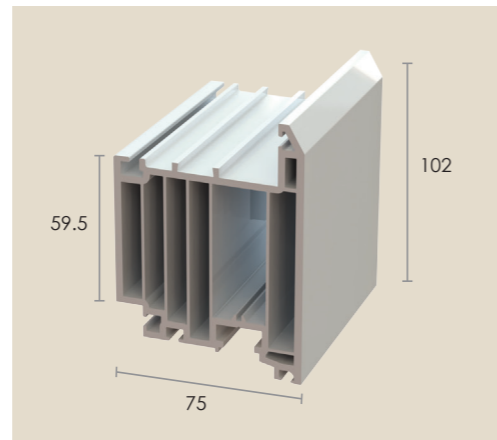
R001 Decorative Transom/Mullion



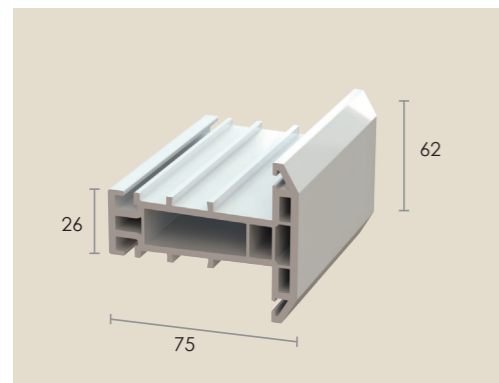
R003 Flush Window Sash



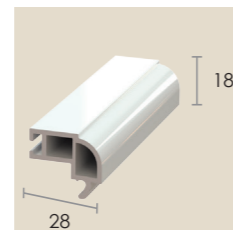
R003FD Flush Door Sash



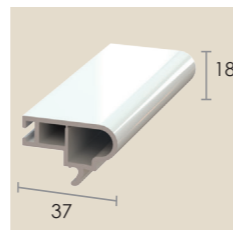
R001SM Sash Transom-Mullion



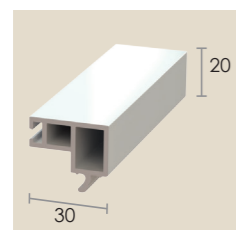
R004
28mm Decorative
Bead



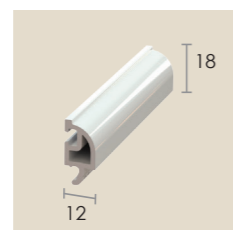
R004S
28mm Staff Bead



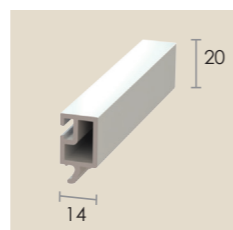
R004SQ
28mm Square Bead



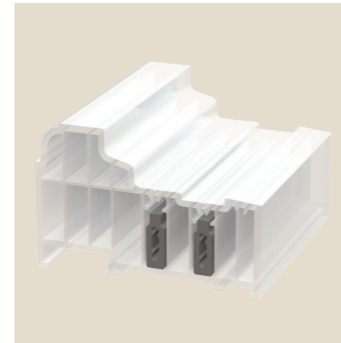
R005
44mm Decorative
Bead



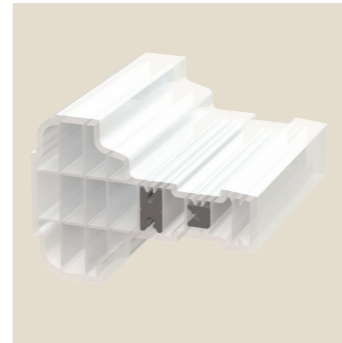
R004
44mm Square
Bead



R205 PVCu Reinforcing
Use with frames



R208 PVCu Reinforcing
Use with Mullions



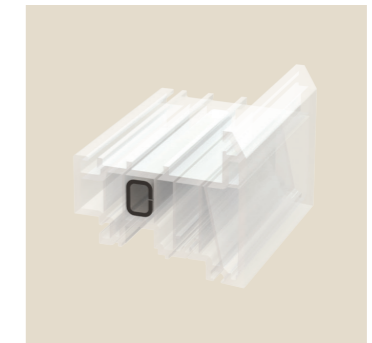
R101 Steel Reinforcing
Screw Retention



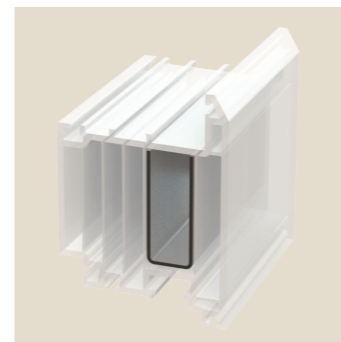
R102 Steel Reinforcing
1.5mm Gauge
Use with R003 and frames



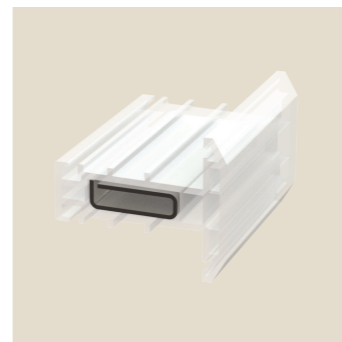
R126 Steel Reinforcing
1.8mm Gauge
Use with R003



R122 Steel Reinforcing
1.5mm Gauge
Use with R003FD



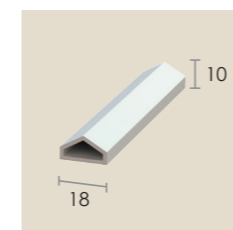
R125 Steel Reinforcing
1.8mm Gauge
Use with R001SM



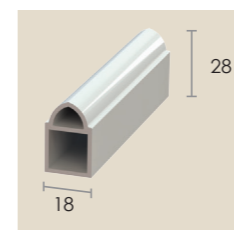
R210 PVCu Reinforcing
Use with R001SM



R202 Georgian Bar
Use externally with
all sashes



R201 Georgian Bar
Use internally with
all sashes



R215 Georgian Bar
Use with all Sashes

