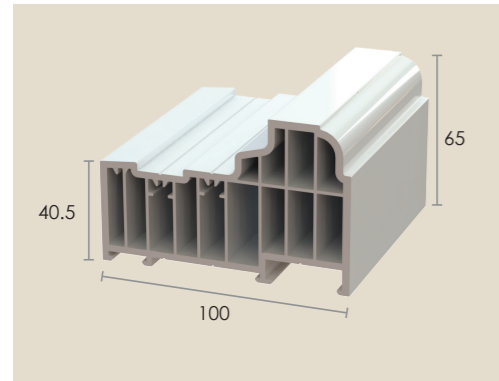


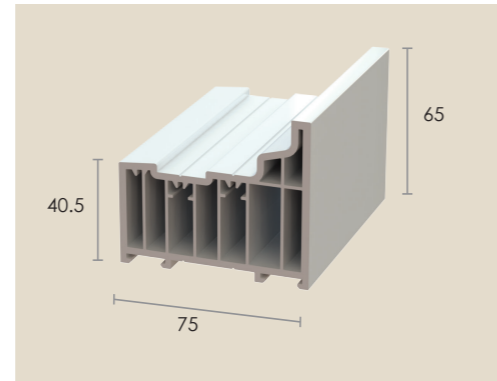
# RESIDENCE COLLECTION - MAIN PROFILES & REINFORCEMENTS



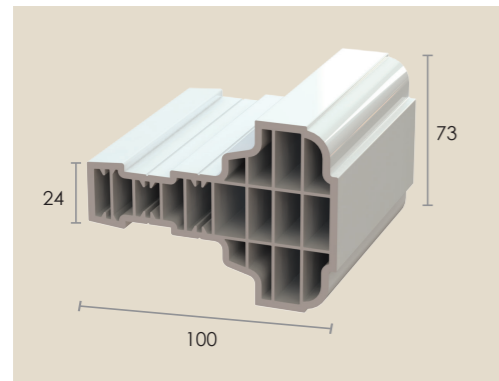
**R002** Residence 9 Frame



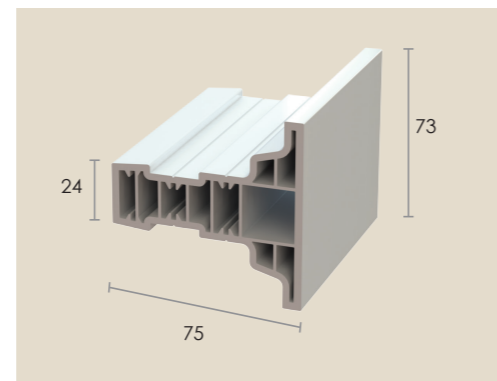
**R7002** Residence 7 Frame



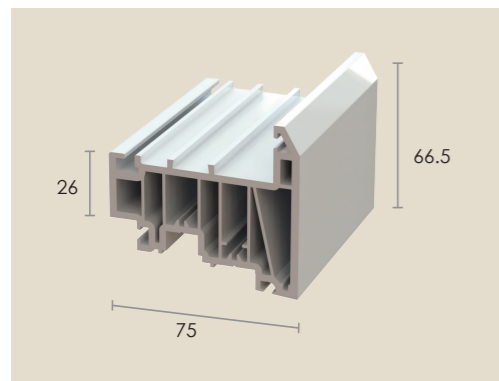
**R001** Residence 9 Transom/Mullion



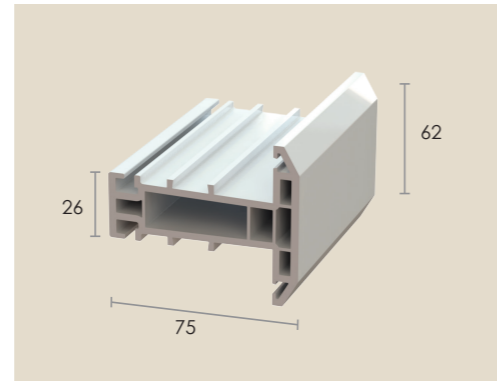
**R001 M** Residence 7 Transom/Mullion



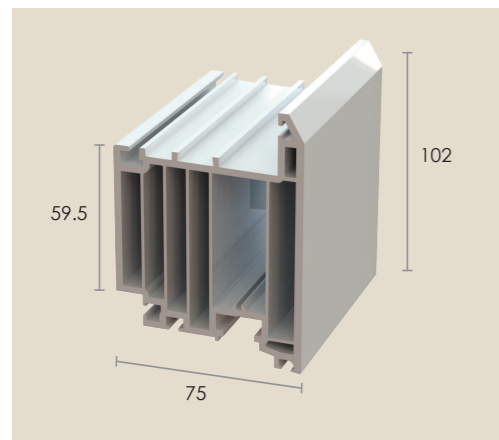
**R003** Flush Window Sash



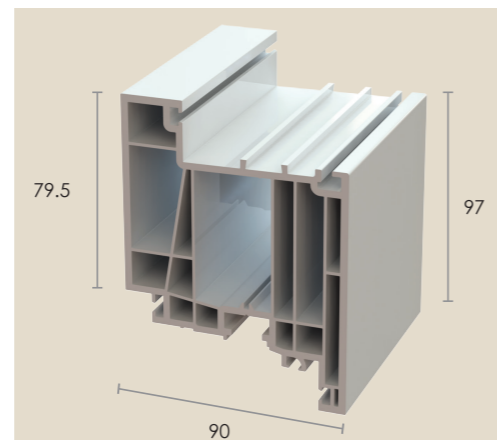
**R001 SM** Sash Transom-Mullion



**R003 FD** Flush Door Sash



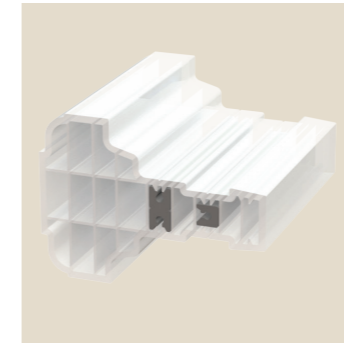
**R003 OD** Open In Door Sash



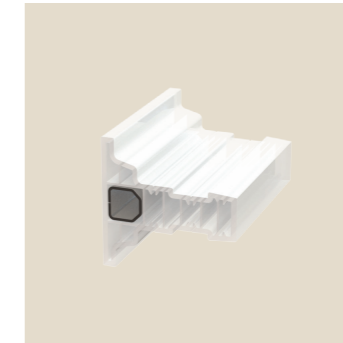
**R205** PVCu Reinforcing  
Use with frames



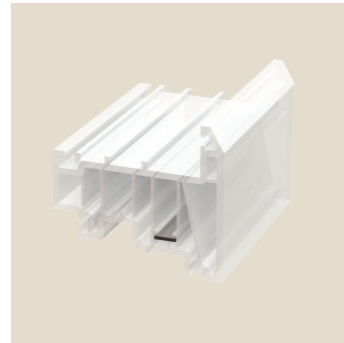
**R208** PVCu Reinforcing  
Use with Mullions



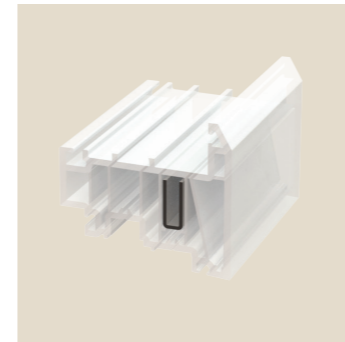
**R124** Steel Reinforcing  
Use with R001M  
1.5mm Gauge



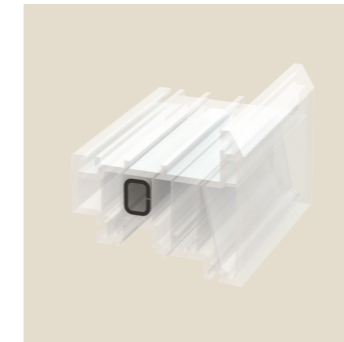
**R101** Steel Reinforcing  
Screw Retention



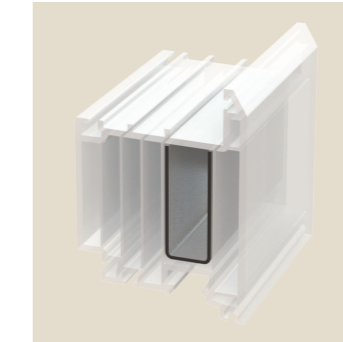
**R102** Steel Reinforcing  
1.5mm Gauge  
Use with R003 and frames



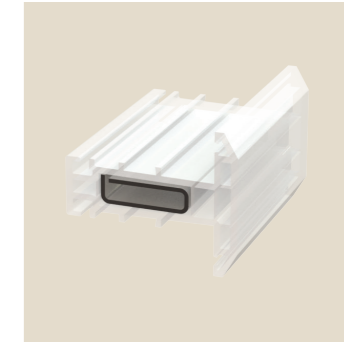
**R126** Steel Reinforcing  
1.8mm Gauge  
Use with R003



**R122** Steel Reinforcing  
1.5mm Gauge  
Use with R003FD



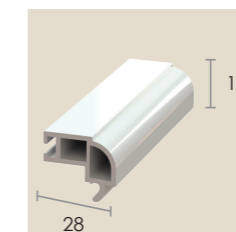
**R125** Steel Reinforcing  
1.8mm Gauge  
Use with R001SM



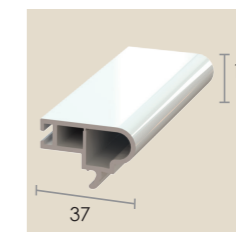
**R210** PVCu Reinforcing  
Use with R001SM



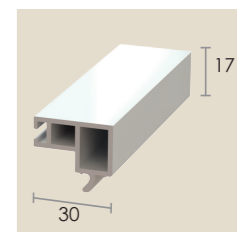
**R004**  
28mm Decorative  
Bead



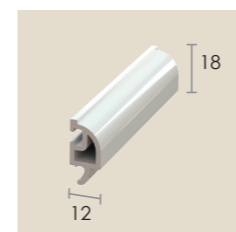
**R004S**  
28mm Staff Bead



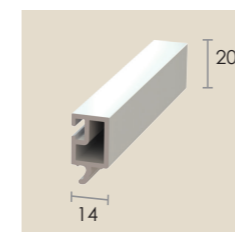
**R004SQ**  
28mm Square Bead



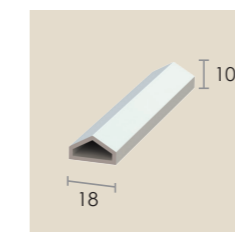
**R005**  
44mm Decorative  
Bead



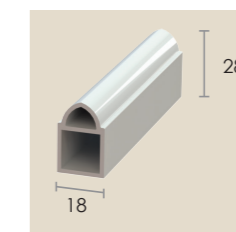
**R005SQ**  
44mm Square  
Bead



**R202** Georgian Bar  
Use externally with  
all sashes



**R201** Georgian Bar  
Use internally with  
all sashes



**R215** Georgian Bar  
Use with all Sashes

