



CASEMENT WINDOW HANDLES - VARIOUS

Inside:

- Alpha Standard Casement Window Handles
- Traditional Styled Casement Window Handles (Monkey Tail and Pear Drop)
- Romatopola Hardware Colours
- Reeded & Newbury Slimline Casement Window Handles
- Tilt & Turn Window Handles

For further assistance, call 01702 613733

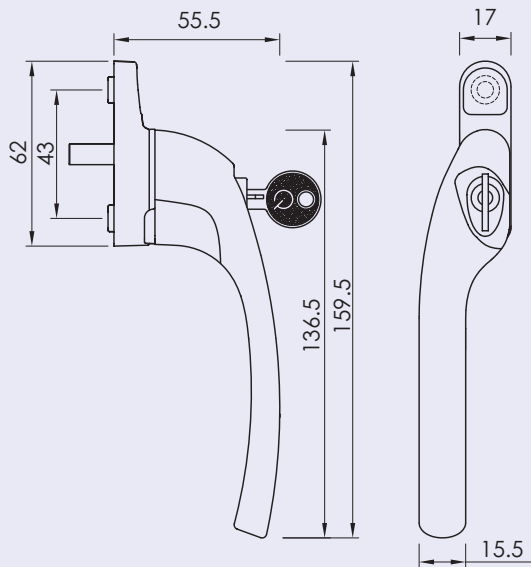
www.climatec-windows.co.uk

11-14 Fletchers Square, Temple Farm Industrial Estate, Southend-on-Sea, Essex SS2 5RN

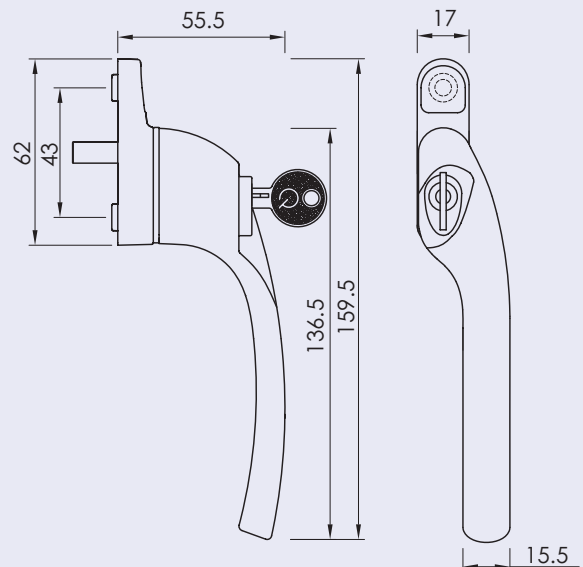
ALPHA CASEMENT WINDOW HANDLE

The Alpha casement window handle is a premium quality push to open handle, which complements the door furniture also available in the Alpha range.

- Sleek and stylish handle grip.
- 90° stop/click location washer
- Finishes available - white, black, satin, polished chrome, PVD gold and Enduro steel finishes.
- Colour co-ordinated screw cover caps



Alpha Left Crank Espag Handle with Cylinder



Alpha Right Crank Espag Handle with Cylinder

For further assistance, call 01702 613733

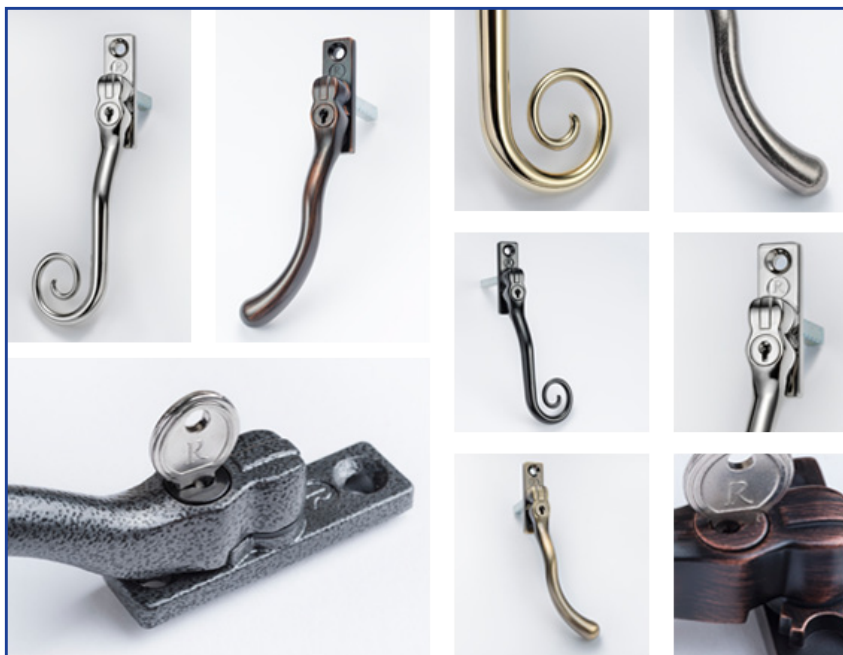
www.climatec-windows.co.uk

11-14 Fletchers Square, Temple Farm Industrial Estate, Southend-on-Sea, Essex SS2 5RN

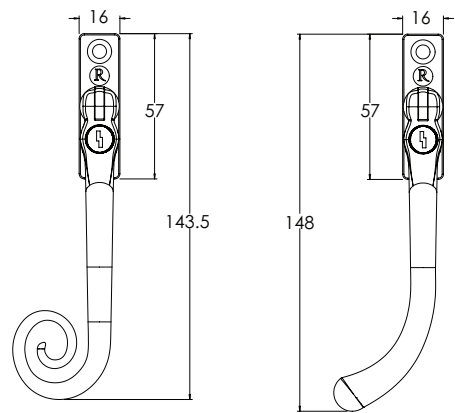
TRADITIONAL STYLED CASEMENT WINDOW HANDLES & STAYS

The Romatopola Collection features an authentic range of traditional and contemporary hardware.

The key locking Monkey Tail and Pear Drop handles and stays are perfect for both period and contemporary windows.



- Key locking with key retention for extra security
- Positive stop to prevent over-stressing
- Spindle lengths: 15mm or 40mm
- Available in nine classic colours: Black, White, Antique Bronze, Satin Chrome, Polished Chrome, Electro Gold, Bronze Red Tint, Pewter Patina, Graphite



- Two distinct styles
- 12" and 10" Stay options available
- Working and dummy pegs for greater flexibility
- Nine classic colours (as per above handles)

For further assistance, call 01702 613733

www.climatec-windows.co.uk

11-14 Fletchers Square, Temple Farm Industrial Estate, Southend-on-Sea, Essex SS2 5RN

ROMATOPOLA HARDWARE COLOURS



1. Black
2. Satin Chrome
3. Graphite
4. Pewter Patina
5. White

6. Electro Gold
7. Polished Chrome
8. Antique Bronze
9. Bronze Red Tint

For further assistance, call 01702 613733

www.climatec-windows.co.uk

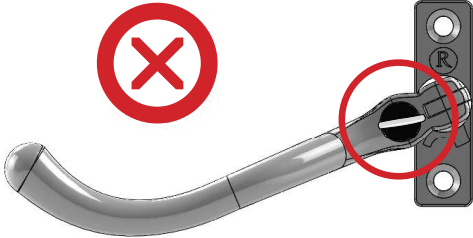
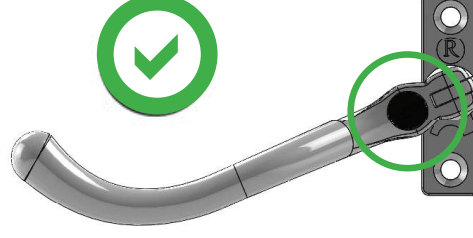
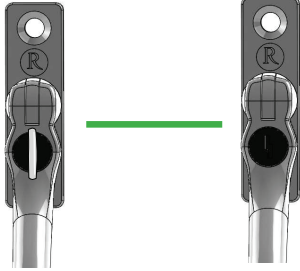
11-14 Fletchers Square, Temple Farm Industrial Estate, Southend-on-Sea, Essex SS2 5RN

Standard Monkey Tail and Pear Drop Window Handles

Instructions for use & maintenance

How to keep your window handles working smoothly for longer

We recommend that once you have locked or unlocked your windows you remove the key before operation of the handle. By leaving the key in, even a slight rotation of the key could hinder operation, as seen in the diagram below.

	<p>We recommend the key is removed before operation of the handle. If the key is left in and not inline with the handle, the operation will be forced and may damage the locking mechanism.</p> <p>DO NOT force the handle if the key is still present or tension is felt during normal operation.</p>
	<ul style="list-style-type: none"> - To lock the handle, rotate the key 180° clockwise to its furthest point. - To unlock the handle, rotate the key 180° anti-clockwise to its furthest point.
	<p>When locked be sure to rotate the key a full 180° anti-clockwise and remove the key before attempting to operate the handle and open your windows.</p> <p>By following these simple guidelines, your handles will open and close easily and last longer.</p>

Maintenance Instructions

To retain the highest corrosion resistance it is necessary to keep the surfaces clean. This can be done by wiping with a clean cloth using warm clean water and drying with a soft cloth.

- Do not use abrasive, chemical or brass cleaners, wire brushes, scrubbers and wire wool etc.
- Do keep clean and free from dirty deposits which may attack the finish.
- Avoid contact with sharp objects which may cut into the finish.

For further assistance, call 01702 613733

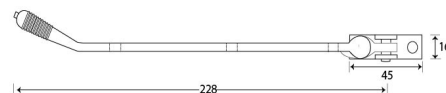
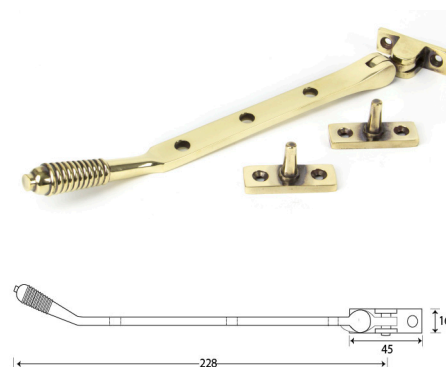
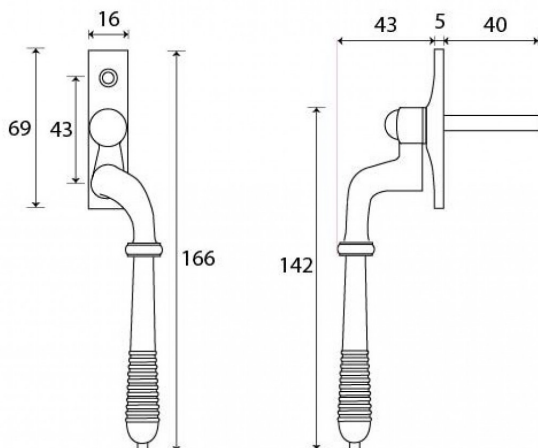
www.climatec-windows.co.uk

11-14 Fletchers Square, Temple Farm Industrial Estate, Southend-on-Sea, Essex SS2 5RN

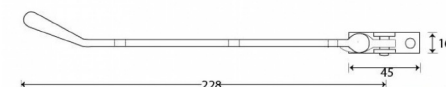
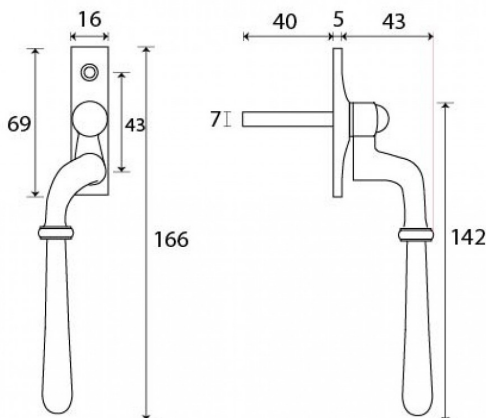
REEDED AND NEWBURY SLIMLINE CASEMENT WINDOW HANDLES

These slimline casement window handles are made from solid unlaquered brass or bronze which achieves a timeless elegance. The Reeded is narrow style window espag handle with stylish reeded end detail and the newbury handle is a simple subtle design that will suit any setting.

- These handles are handed - LH and RH
- Fits on any type of window due to its slim fixing plate
- The handle is cranked away from the frame and window to allow ease of use
- Can be fitted to any modern espagnolette system and can be locked with a grub screw on the handle
- Handle Length - 142mm
- 7mm x 40mm thick spindle
- Suitable for use internally or externally
- Matching 8", 10" and 12" window stays available for R9 windows
- Available in Aged Brass, Polished Nickel, Polished Chrome, Aged Bronze and Polished Bronze finishes



Reeded (pictured: Polished Bronze and Polished Nickel handles and Aged Brass stay)



Newbury (pictured: Polished Chrome and Aged Bronze handles, Polished Bronze stay)

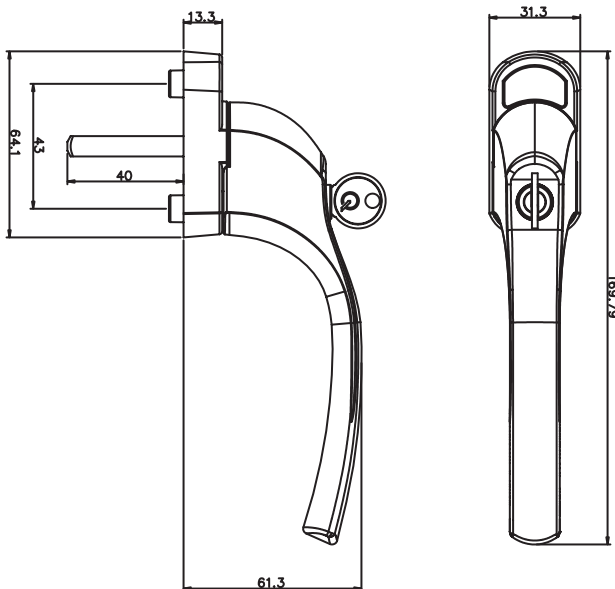
For further assistance, call 01702 613733

www.climatec-windows.co.uk

11-14 Fletchers Square, Temple Farm Industrial Estate, Southend-on-Sea, Essex SS2 5RN

TILT & TURN WINDOW HANDLES

- Ultra modern handle design.
- Distinctive grip with radius edges to the backplate providing a softer style.
- Premium quality handle that features the same feel and appearance of the Alpha door handle
- For use with tilt and turn, and tilt before turn mechanisms.
- 40mm length spindle.
- Available in white, polished chrome, gold and satin finishes. Black handles are available but minimum orders apply.



For further assistance, call 01702 613733

www.climatec-windows.co.uk

11-14 Fletchers Square, Temple Farm Industrial Estate, Southend-on-Sea, Essex SS2 5RN