



## HINGE GUARDS / DOG BOLTS

### Inside:

- Standard Hinge Guard - GreenteQ Delta
- Securistyle Vector Excluder Hinge Guard
- Hinge Guard - For R9
- Door Dog Bolt

**For further assistance, call 01702 613733**

**[www.climatec-windows.co.uk](http://www.climatec-windows.co.uk)**

11-14 Fletchers Square, Temple Farm Industrial Estate, Southend-on-Sea, Essex SS2 5RN

## STANDARD HINGE GUARD - GREENTEQ DELTA

Friction stay security devices provide excellent resistance to forced entry. With one half fitted in the friction stay groove on the sash and another fitted opposite on the frame (in both hinged corners), the components inter-lock if jemmying of the hinge side of a window is attempted.

- ❖ Suitable for Rehau and Calibre casement windows & Deceuninck Flush windows
- ❖ Extra security for windows
- ❖ Provides resistance to forced entry on the hinge side of the window
- ❖ Retro-fitting to existing windows provides cost effective solution to increasing existing levels of security
- ❖ The two component parts are designed to not contact each other during the operation of the windows, and do so not inhibit its operation.



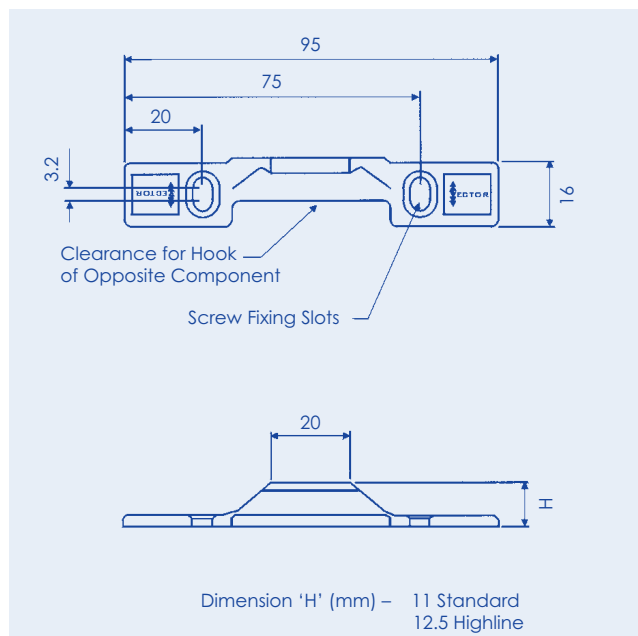
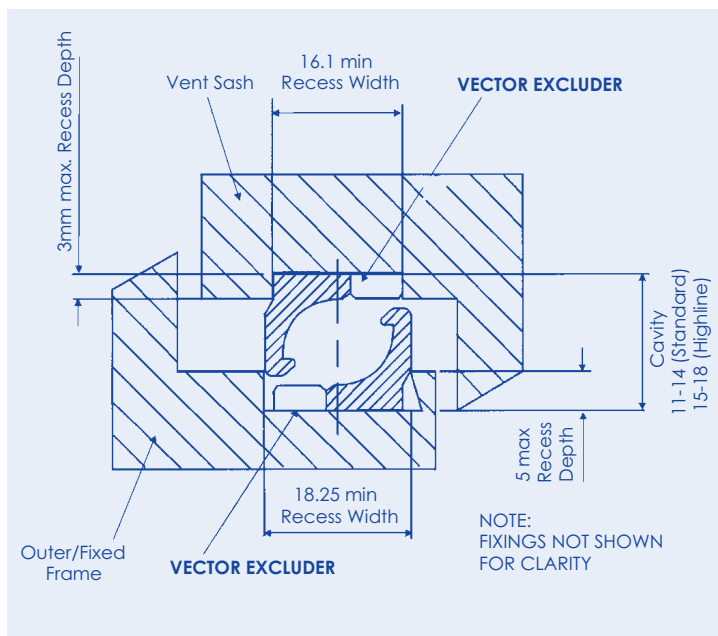
**For further assistance, call 01702 613733**

**[www.climatec-windows.co.uk](http://www.climatec-windows.co.uk)**

11-14 Fletchers Square, Temple Farm Industrial Estate, Southend-on-Sea, Essex SS2 5RN

## SECURISTYLE VECTOR EXCLUDER HINGE GUARD

- ❖ Suitable for Rehau and Calibre casement windows
- ❖ Extra security for windows
- ❖ Can be fitted in conjunction with most friction hinges (including Egress)
- ❖ Provides resistance to forced entry on the hinge side of the window
- ❖ Retro-fitting to existing windows provides cost effective solution to increasing existing levels of security
- ❖ The two component parts are designed to not contact each other during the operation of the windows, and do so not inhibit its operation.
- ❖ Manufactured from Diecast Zinc Alloy, plated and passivated to satisfy 500 hours neutral spray test.



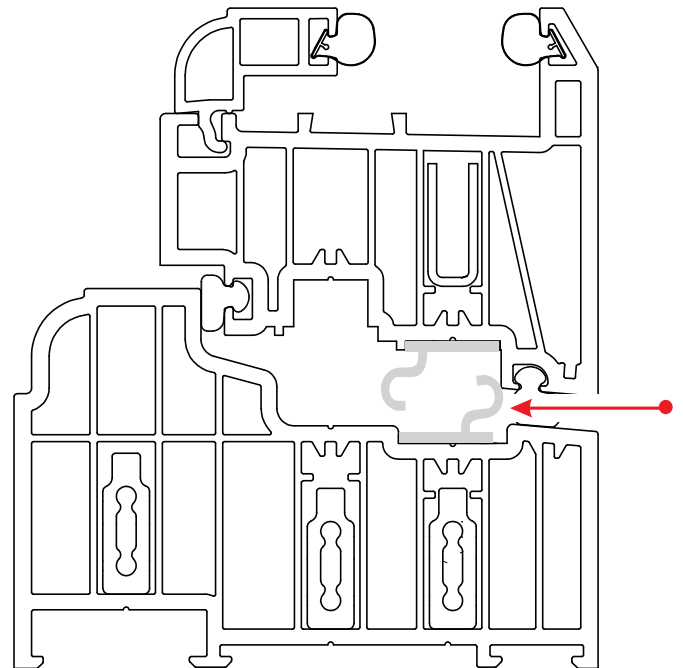
For further assistance, call 01702 613733

[www.climatec-windows.co.uk](http://www.climatec-windows.co.uk)

11-14 Fletchers Square, Temple Farm Industrial Estate, Southend-on-Sea, Essex SS2 5RN

## HINGE GUARD - FOR R9

- ❖ Simple, easy and effective method of enhancing security for windows
- ❖ Provides resistance to forced entry on the hinge side of the window
- ❖ Retro-fitting to existing windows provides cost effective solution to increasing existing levels of security
- ❖ The two component parts are designed to not contact each other during the operation of the windows, and do so not inhibit its operation.
- ❖ When fitted in conjunction with a friction stay it will assist in meeting the requirements of PAS 24.



**For further assistance, call 01702 613733**

**[www.climatec-windows.co.uk](http://www.climatec-windows.co.uk)**

11-14 Fletchers Square, Temple Farm Industrial Estate, Southend-on-Sea, Essex SS2 5RN

## DOOR DOG BOLT

- ❖ Significantly contributes to increasing the security of a door.
- ❖ Low cost enhancement.
- ❖ A secure hinge-side solution for doors without affecting the opening and closing performance of the door.
- ❖ Frame parts are profile related.



**For further assistance, call 01702 613733**

**[www.climatec-windows.co.uk](http://www.climatec-windows.co.uk)**

11-14 Fletchers Square, Temple Farm Industrial Estate, Southend-on-Sea, Essex SS2 5RN