

## SLOT VENTS

### Inside:

- Glazpart Link Vent MkII
- Titon Trimvent Select S13 - 2000mm<sup>2</sup> and 4000mm<sup>2</sup>
- Gas Regulations Ventilator
- Titon Variglaze - Slim Glazed-In Ventilator
- Titon SF Xtra Sound Attenuator Vent
- Simons Acoustic SL (Slimline)

**For further assistance, call 01702 613733**

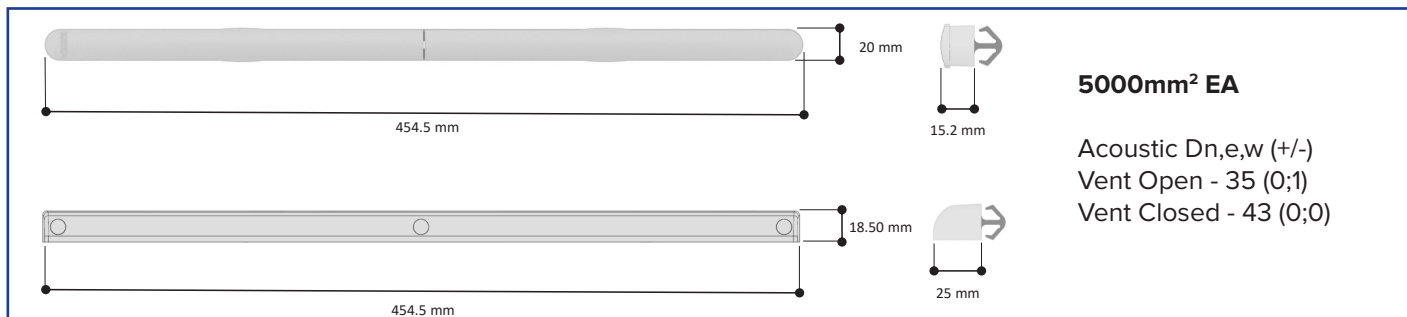
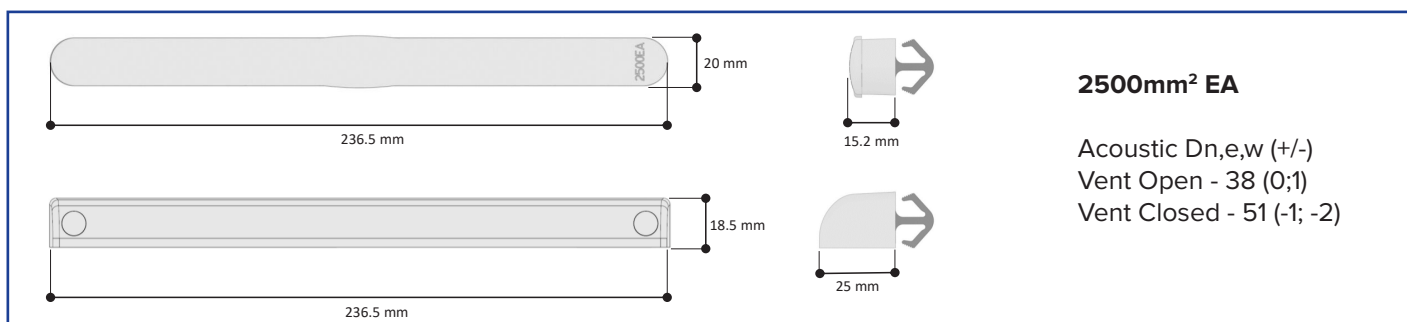
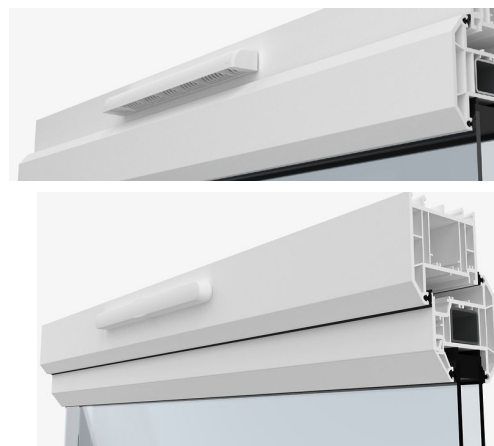
**[www.climatec-windows.co.uk](http://www.climatec-windows.co.uk)**

11-14 Fletchers Square, Temple Farm Industrial Estate, Southend-on-Sea, Essex SS2 5RN

## GLAZPART LINK VENT MKII 2500MM<sup>2</sup> AND 5000MM<sup>2</sup> SLOTVENTS

Developed in 2 sizes the vents performance will be 5000 EA and 2500 EA. Equivalent area (EA) is used instead of free area for the sizing of trickle ventilators as it is a better measure of a ventilators air flow performance. (Two additional sizes to be launched before June 2022).

- Meets F1 requirements for new build and replacement sectors.
- Designed for use on all window types
- 2500 EA is delivered through a 204 mm x 13 mm slot size. The 5000 EA has 2 slots of the same size with a bridge.
- Simple, user friendly opening of the vent finishes with a positive closing action.
- The innovative “link” allows the closure plate to be positioned to reduce draughts with the benefit of directing air away from occupants.
- The Link-vent 5000 closure plate is split to allow for partial (50%) opening and further ease opening of the ventilator.
- Comes as a clip fix secure fastening method with no screws or end caps. The clip fix design Pawl’s allow for a fast, easy vent installation.



### DIMENSIONS

#### 2500mm<sup>2</sup> Link Vent

| Equivalent Area: | 2500mm <sup>2</sup> |         |
|------------------|---------------------|---------|
| Free Area:       | 2512mm <sup>2</sup> |         |
|                  | Ventilator          | Canopy  |
| Length:          | 236.5mm             | 236.5mm |
| Height:          | 18.5mm              | 18.5mm  |
| Depth:           | 15mm                | 25mm    |

#### 5000mm<sup>2</sup> Link Vent

| Equivalent Area: | 5000mm <sup>2</sup> |         |
|------------------|---------------------|---------|
| Free Area:       | 5049mm <sup>2</sup> |         |
|                  | Ventilator          | Canopy  |
| Length:          | 454.5mm             | 454.5mm |
| Height:          | 18.5mm              | 18.5mm  |
| Depth:           | 15mm                | 25mm    |

For further assistance, call **01702 613733**

[www.climatec-windows.co.uk](http://www.climatec-windows.co.uk)

11-14 Fletchers Square, Temple Farm Industrial Estate, Southend-on-Sea, Essex SS2 5RN

## TITON TRIMVENT SELECT S13 2000MM<sup>2</sup> AND 4000MM<sup>2</sup> SLOTVENTS

The Trimvent Select S13 is a surface mounted plastic slot ventilator that fits over a 13mm slot in a window and can deflect air up, down, or both.

- Rounded unobtrusive shape
- Unique occupant controllable tilting T-bar
- Can be fitted on the sash, frame or overhead section
- Sculptured finger recess
- When specified correctly, complies with Building Regulations
- Available in a variety of colours to suit.

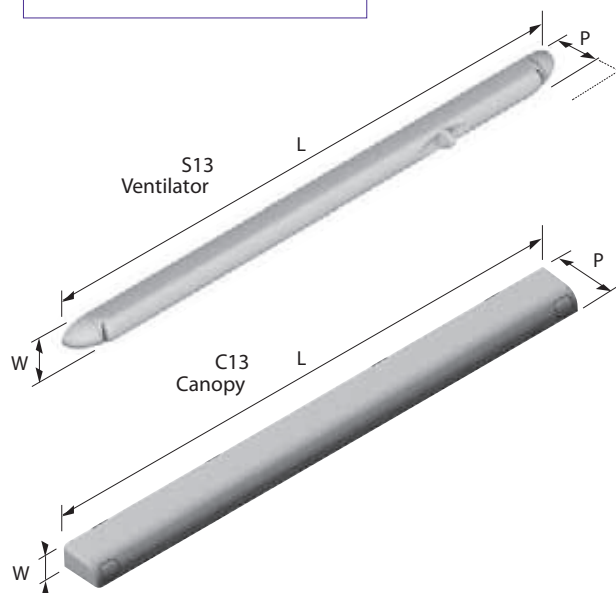
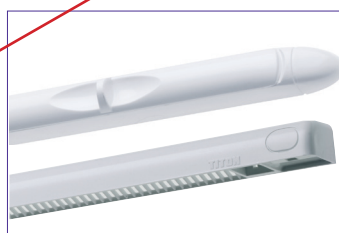


DISCONTINUED

### DIMENSIONS

| 2000mm <sup>2</sup> Trimvent | Ventilator          | Canopy              |
|------------------------------|---------------------|---------------------|
| Equivalent Area:             | 1700mm <sup>2</sup> | 1700mm <sup>2</sup> |
| Free Area:                   | 2212mm <sup>2</sup> | 2351mm <sup>2</sup> |
| Length (L):                  | 265mm               | 267mm               |
| Width (W):                   | 18.5mm              | 17mm                |
| Projection                   |                     |                     |
| Closed-Open (P):             | 20-26mm             | 24mm                |

| 4000mm <sup>2</sup> Trimvent | Ventilator          | Canopy              |
|------------------------------|---------------------|---------------------|
| Equivalent Area:             | 2700mm <sup>2</sup> | 2700mm <sup>2</sup> |
| Free Area:                   | 4045mm <sup>2</sup> | 4278mm <sup>2</sup> |
| Length (L):                  | 411mm               | 412mm               |
| Width (W):                   | 18.5mm              | 17mm                |
| Projection                   |                     |                     |
| Closed-Open (P):             | 20-26mm             | 24mm                |



For further assistance, call 01702 613733

[www.climatec-windows.co.uk](http://www.climatec-windows.co.uk)

11-14 Fletchers Square, Temple Farm Industrial Estate, Southend-on-Sea, Essex SS2 5RN

## GAS REGULATIONS VENTILATOR

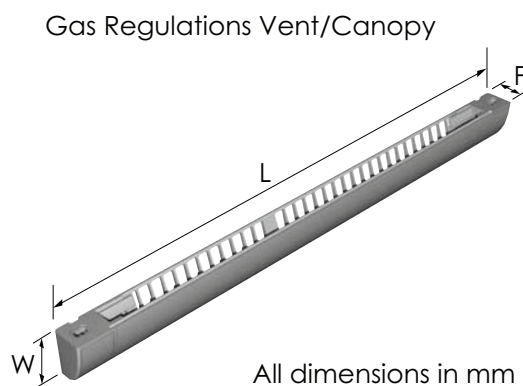
- Surface mounted over a 13mm or 16mm slot
- Integral screw covers for concealed fixing
- Three sizes available; one giving 4000mm<sup>2</sup> air opening for use with 7 to 15kW open flue boilers, another giving 7500mm<sup>2</sup> air opening for 15 to 22kW open flue boilers, and one giving 5000mm<sup>2</sup> for use with certain flueless appliances.
- Two ventilators supplied per pack (one fitted internally, one fitted externally)
- Supplied with warning label, screws and fixing instructions
- Available in white or brown finishes.



### TECHNICAL SPECIFICATION

- ❖ Designed to comply with BS 5440 Part 2 “Specification for installation and maintenance of ventilation of gas appliances”
- ❖ Building Regulations Part J “Combustion appliances and fuel storage systems”

| Product | Length | Width | Projection<br>Closed-Open | Free Area<br>(mm <sup>2</sup> ) |
|---------|--------|-------|---------------------------|---------------------------------|
| 4000GR  | 389    | 24    | 17                        | 4000                            |
| 5000GR  | 475    | 24    | 17                        | 5000                            |



**For further assistance, call 01702 613733**

**[www.climatec-windows.co.uk](http://www.climatec-windows.co.uk)**

11-14 Fletchers Square, Temple Farm Industrial Estate, Southend-on-Sea, Essex SS2 5RN

## TITON VARIGLAZE - SLIM GLAZED-IN VENTILATOR

- ❖ Supplied made-to-measure or in bar length.
- ❖ Bar length for cutting to size by customer.
- ❖ Suitable for 20, 22, 24 or 28mm glass thicknesses.
- ❖ Aluminium or plastic canopy.
- ❖ Dual hardness flap gasket improves weather tightness.
- ❖ Minimal projection for inline patio doors.
- ❖ Thermally improved (not mill finish version).
- ❖ Available in Gas Regulations version.
- ❖ Patented design.



Variglaze



Over glass

### PRODUCT SPECIFICATION

**Equivalent Area (EA) (mm<sup>2</sup>)** – 5400 per metre of extrusion\*

**Free Area (mm<sup>2</sup>)** – 9650 per metre of extrusion\*

(\*extrusion length should be calculated as the overall length minus 78mm)

**Air Leakage (m<sup>3</sup>/hr @ 50Pa)** – 500mm overall length – 2.49

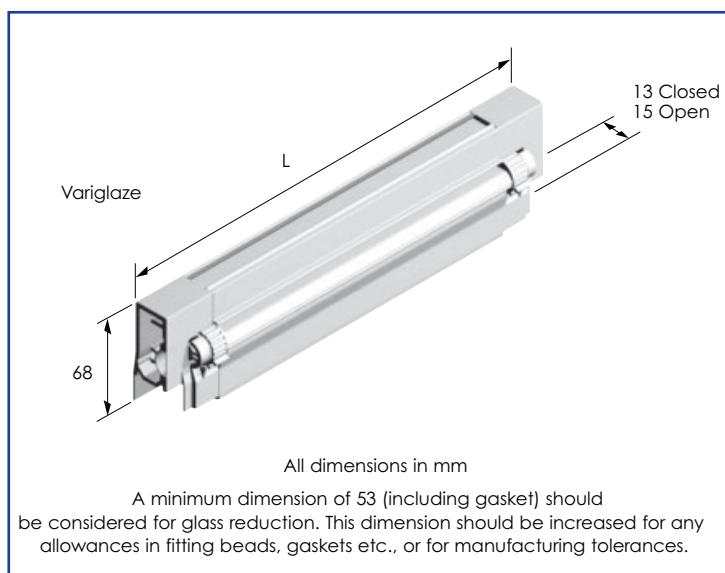
**Water Resistance (Pa)** – 300

**Acoustic Dn,e,w (+/-)** – 500mm overall length vent closed 48 (-1;-1), vent open 33 (0;-2)

**Material Specification** - Aluminium 6063 HIT T6  
PVCu POM PBTP

**Airflow** - 500mm Long  
2 Pa = 5.5m<sup>3</sup>/hr @ STP  
5 Pa = 12.2m<sup>3</sup>/hr@STP  
10Pa = 21.6m<sup>3</sup>/hr@STP

**Performance Specification** - Tested in accordance with BS 6375 Part 1 - 1989 "Performance of windows - classification for weathertightness".



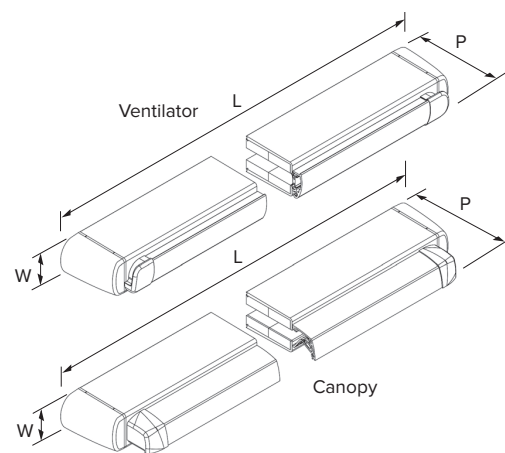
**For further assistance, call 01702 613733**

**www.climatec-windows.co.uk**

11-14 Fletchers Square, Temple Farm Industrial Estate, Southend-on-Sea, Essex SS2 5RN

## TITON XTRA SOUND ATTENUATOR VENT

- ❖ Sound attenuating ventilator available in a number of combinations to suit different acoustic specifications
- ❖ 2500mm<sup>2</sup> EA and 5000mm<sup>2</sup> EA (Equivalent Area) versions available
- ❖ Suitable for use in domestic or non-domestic installations
- ❖ Ideal for retrofit applications, over an existing slot.
- ❖ High performance gasket combined with compression closing action improves sealing in adverse conditions
- ❖ Can be mounted to deflect air upwards or downwards
- ❖ For use over a 13mm slot
- ❖ It is strongly advised to add additional frame extenders to the head of the window frame to allow for plaster lines etc.



| Product                                   | Product Code | (L) Length | (W) Width | (P) Projection Closed-Open | Free Area (mm <sup>2</sup> ) | Slot Detail    |
|---|--------------|------------|-----------|----------------------------|------------------------------|----------------|
| SF Xtra 2500EA vent only                  | TA5220       | 425        | 28        | 10-24                      | 4207                         |                |
| SF 418 Canopy only                        | TA5005       | 418        | 23        | 27                         | 5114                         |                |
| SF Xtra Sound Attenuator 2500EA vent 25mm | TA5221       | 464        | 35        | 37-51                      | 3470                         |                |
| SF Sound Attenuator 2500EA canopy 25mm    | TA5202       | 464        | 35        | 54                         | 3470                         | 173.5 20 173.5 |
| SF Xtra Sound Attenuator 2500EA vent 50mm | TA5223       | 464        | 35        | 62-76                      | 3470                         | 13             |
| SF Sound Attenuator 2500EA canopy 50mm    | TA5204       | 464        | 35        | 79                         | 3470                         |                |
| SF Xtra Sound Attenuator 2500EA vent 75mm | TA5225       | 464        | 35        | 87-101                     | 3470                         |                |
| SF Sound Attenuator 2500EA canopy 75mm    | TA5206       | 464        | 35        | 104                        | 3470                         |                |
| SF Xtra Sound Attenuator 5000EA Vent 75mm | TA5235       | 523        | 35        | 87-101                     | 5517                         | 215 8 215      |
| SF Sound Attenuator 5000EA Canopy 75mm    | TA5236       | 523        | 35        | 113.5                      | 5517                         | 13             |

### Acoustic ratings

| Product                                     | Open                                      | Closed                                    | EA (mm <sup>2</sup> ) |
|---|---|---|-----------------------|
| V75 + C75 (2500EA)                          | D <sub>n,e,w</sub> (C;Ctr) = 44 (-2;-3)dB | D <sub>n,e,w</sub> (C;Ctr) = 55 (-1;-5)dB | 2500                  |
| V75 + C50 (2500EA)                          | D <sub>n,e,w</sub> (C;Ctr) = 42 (-1;-2)dB | D <sub>n,e,w</sub> (C;Ctr) = 55 (-2;-5)dB | 2500                  |
| V75 + standard canopy (2500EA)              | D <sub>n,e,w</sub> (C;Ctr) = 40 (-1;-2)dB | D <sub>n,e,w</sub> (C;Ctr) = 53 (-1;-4)dB | 2500                  |
| V50 + C25 (2500EA)                          | D <sub>n,e,w</sub> (C;Ctr) = 39 (-1;-2)dB | D <sub>n,e,w</sub> (C;Ctr) = 55 (-2;-5)dB | 2500                  |
| V50 + standard canopy (2500EA)              | D <sub>n,e,w</sub> (C;Ctr) = 38 (-1;-2)dB | D <sub>n,e,w</sub> (C;Ctr) = 55 (-2;-5)dB | 2500                  |
| V25 + C25 (2500EA)                          | D <sub>n,e,w</sub> (C;Ctr) = 36 (0;-2)dB  | D <sub>n,e,w</sub> (C;Ctr) = 55 (-1;-5)dB | 2500                  |
| V25 + standard canopy (2500EA)              | D <sub>n,e,w</sub> (C;Ctr) = 35 (0;-1)dB  | D <sub>n,e,w</sub> (C;Ctr) = 54 (-1;-4)dB | 2500                  |
| Standard vent + C25 (2500EA)                | D <sub>n,e,w</sub> (C;Ctr) = 35 (0;-1)dB  | D <sub>n,e,w</sub> (C;Ctr) = 55 (1;-5)dB  | 2500                  |
| Standard vent + standard SF canopy (2500EA) | D <sub>n,e,w</sub> (C;Ctr) = 32 (1;0)dB   | D <sub>n,e,w</sub> (C;Ctr) = 52 (-2;-4)dB | 2500                  |
| V75 + C75 (Hi Spec Foam) (5000EA)           | D <sub>n,e,w</sub> (C;Ctr) = 40 (-2;-3)dB | D <sub>n,e,w</sub> (C;Ctr) = 51 (-1;-4)dB | 5000                  |

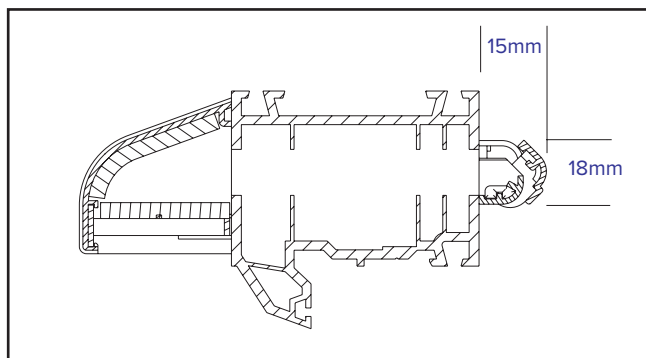
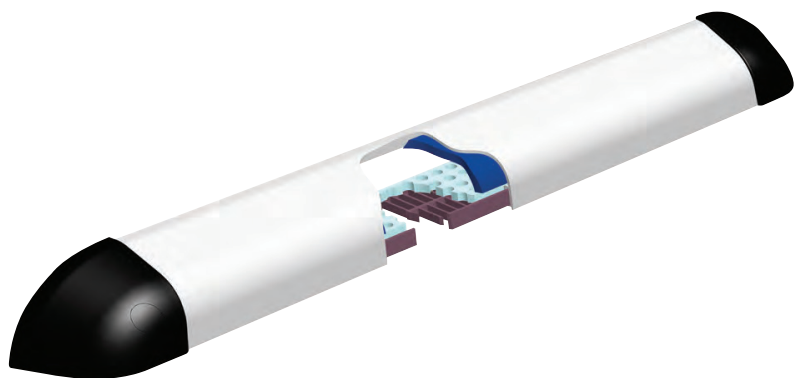
For further assistance, call 01702 613733

[www.climatec-windows.co.uk](http://www.climatec-windows.co.uk)

11-14 Fletchers Square, Temple Farm Industrial Estate, Southend-on-Sea, Essex SS2 5RN

## SIMON ACOUSTIC SL (SLIMLINE) VENT

- ❖ Manufactured from aluminium.
- ❖ 2500mm<sup>2</sup> Equivalent Area. 4080mm<sup>2</sup> Measured Area.
- ❖ Suitable for use in domestic or non-domestic installations
- ❖ Achieves sound reduction of 39dB closed and 33dB open
- ❖ Document F and Document E Building Regulation compliant.
- ❖ Can fit into sash profile



|                   | dB Closed | dB Open | EA to BS13141-1 | Measured Area <sup>mm<sup>2</sup></sup> | Dimensions Int | Dimensions Ext | Slot Size |
|-------------------|-----------|---------|-----------------|---|----------------|----------------|-----------|
| Simon Acoustic SL | 39        | 33      | 2967            | 4080                                    | 375 x 18       | 431 x 45       | 340 x 12  |

**For further assistance, call 01702 613733**

**[www.climatec-windows.co.uk](http://www.climatec-windows.co.uk)**

11-14 Fletchers Square, Temple Farm Industrial Estate, Southend-on-Sea, Essex SS2 5RN