



## SLOT VENTS

### Inside:

- Titon Trimvent Select S13 - 2000mm<sup>2</sup> and 4000mm<sup>2</sup>
- Gas Regulations Ventilator
- Titon Variglaze - Slim Glazed-In Ventilator

**For further assistance, call 01702 613733**

**[www.climatec-windows.co.uk](http://www.climatec-windows.co.uk)**

11-14 Fletchers Square, Temple Farm Industrial Estate, Southend-on-Sea, Essex SS2 5RN

## TITON TRIMVENT SELECT S13 2000MM<sup>2</sup> AND 4000MM<sup>2</sup> SLOTVENTS

The Trimvent Select S13 is a surface mounted plastic slot ventilator that fits over a 13mm slot in a window and can deflect air up, down, or both.

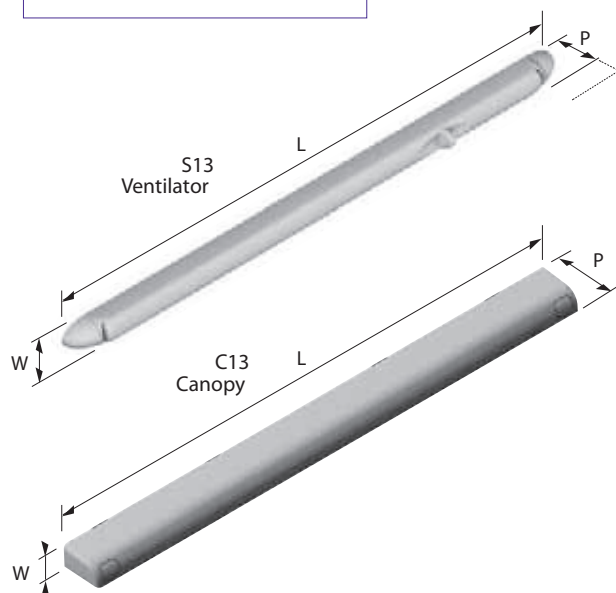
- Rounded unobtrusive shape
- Unique occupant controllable tilting T-bar
- Can be fitted on the sash, frame or overhead section
- Sculptured finger recess
- When specified correctly, complies with Building Regulations
- Available in White, Brown and Caramel finishes



### DIMENSIONS

2000mm <sup>2</sup> Trimvent	Ventilator	Canopy
Equivalent Area:	1700mm <sup>2</sup>	1700mm <sup>2</sup>
Free Area:	2212mm <sup>2</sup>	2351mm <sup>2</sup>
Length (L):	265mm	267mm
Width (W):	18.5mm	17mm
Projection Closed-Open (P):	20-26mm	24mm

4000mm <sup>2</sup> Trimvent	Ventilator	Canopy
Equivalent Area:	2700mm <sup>2</sup>	2700mm <sup>2</sup>
Free Area:	4045mm <sup>2</sup>	4278mm <sup>2</sup>
Length (L):	411mm	412mm
Width (W):	18.5mm	17mm
Projection Closed-Open (P):	20-26mm	24mm



For further assistance, call 01702 613733

[www.climatec-windows.co.uk](http://www.climatec-windows.co.uk)

11-14 Fletchers Square, Temple Farm Industrial Estate, Southend-on-Sea, Essex SS2 5RN

## GAS REGULATIONS VENTILATOR

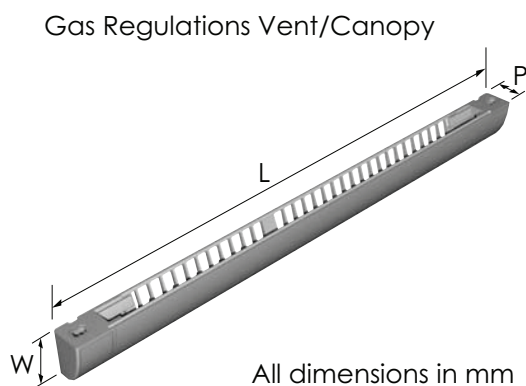
- Surface mounted over a 13mm or 16mm slot
- Integral screw covers for concealed fixing
- Three sizes available; one giving 4000mm<sup>2</sup> air opening for use with 7 to 15kW open flue boilers, another giving 7500mm<sup>2</sup> air opening for 15 to 22kW open flue boilers, and one giving 5000mm<sup>2</sup> for use with certain flueless appliances.
- Two ventilators supplied per pack (one fitted internally, one fitted externally)
- Supplied with warning label, screws and fixing instructions
- Available in white or brown finishes.



### TECHNICAL SPECIFICATION

- ❖ Designed to comply with BS 5440 Part 2 “Specification for installation and maintenance of ventilation of gas appliances”
- ❖ Building Regulations Part J “Combustion appliances and fuel storage systems”

Product	L	W	P
4000GR	389	24	16.5
5000GR	475	24	16.5
7500GR	675	24	16.5



**For further assistance, call 01702 613733**

[www.climatec-windows.co.uk](http://www.climatec-windows.co.uk)

11-14 Fletchers Square, Temple Farm Industrial Estate, Southend-on-Sea, Essex SS2 5RN

## TITON VARIGLAZE - SLIM GLAZED-IN VENTILATOR

- ❖ Supplied made-to-measure or in bar length.
- ❖ Bar length for cutting to size by customer.
- ❖ Suitable for 20, 22, 24 or 28mm glass thicknesses.
- ❖ Aluminium or plastic canopy.
- ❖ Dual hardness flap gasket improves weather tightness.
- ❖ Minimal projection for inline patio doors.
- ❖ Thermally improved (not mill finish version).
- ❖ Available in Gas Regulations version.
- ❖ Patented design.



Variglaze



Over glass

### PRODUCT SPECIFICATION

#### Material Specification:-

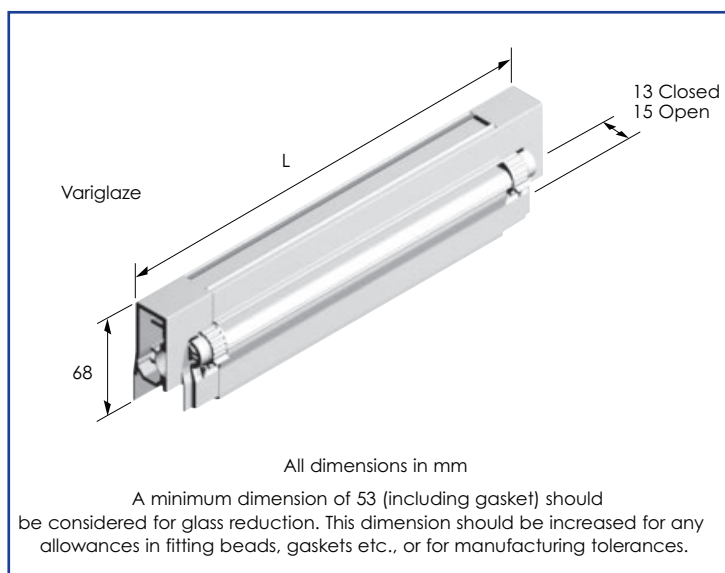
- Aluminium 6063 HIT T6 PVCu POM PBTP

#### Airflow:-

- 500mm Long  
 2 Pa = 5.5m<sup>3</sup>/hr @ STP  
 5 Pa = 12.2m<sup>3</sup>/hr@STP  
 10Pa = 21.6m<sup>3</sup>/hr@STP

#### Performance Specification:-

- Tested in accordance with BS 6375 Part 1 - 1989  
 "Performance of windows - classification for weathertightness".



For further assistance, call 01702 613733

[www.climatec-windows.co.uk](http://www.climatec-windows.co.uk)

11-14 Fletchers Square, Temple Farm Industrial Estate, Southend-on-Sea, Essex SS2 5RN