

WINDOW WIDGETS FRAME COUPLERS & BAY POLES - VARIOUS

Inside:

- 2mm Decorative Coupler
- 10mm Coupler
- 24mm Heavy Duty Couplers
- 90° Corner Post
- Variable Angle Bay Pole
- 135° Fixed Angle Bay Pole
- 150° Fixed Angle Bay Pole
- 152°-179° Bow Bay Pole
- 90°-170° Easy Bay
- Vertical Slider Variable Angle Bay Pole
- Baypole Jacks & Spreader Plates

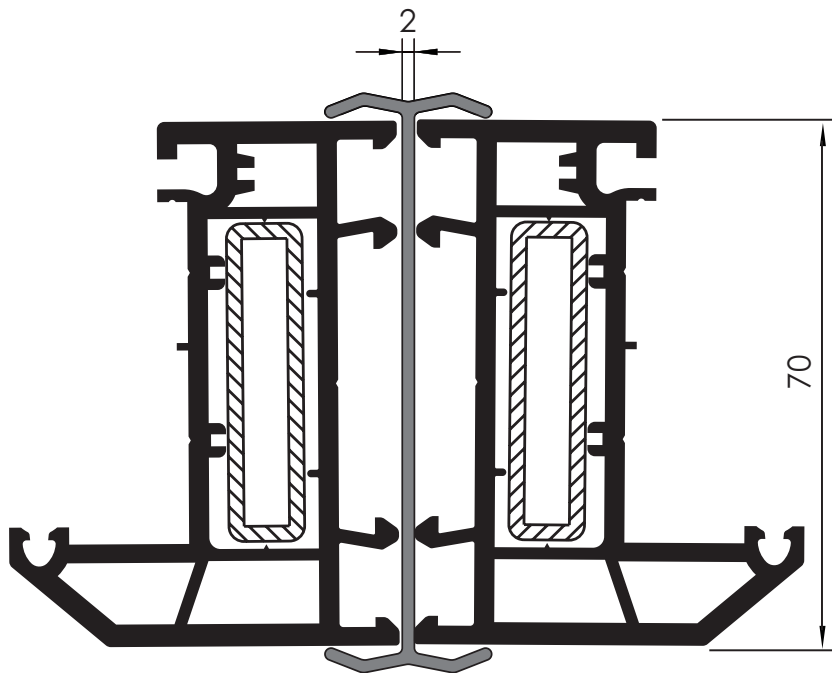
For further assistance, call 01702 613733

www.climatec-windows.co.uk

11-14 Fletchers Square, Temple Farm Industrial Estate, Southend-on-Sea, Essex SS2 5RN

2MM DECORATIVE COUPLER

- ❖ Simple 2mm PVCu frame coupler with a decorative feature to the visible faces.
- ❖ Used to couple frames where additional strength is not required
- ❖ Finishes available - white and all standard colours.
- ❖ Available for REHAU 70mm only



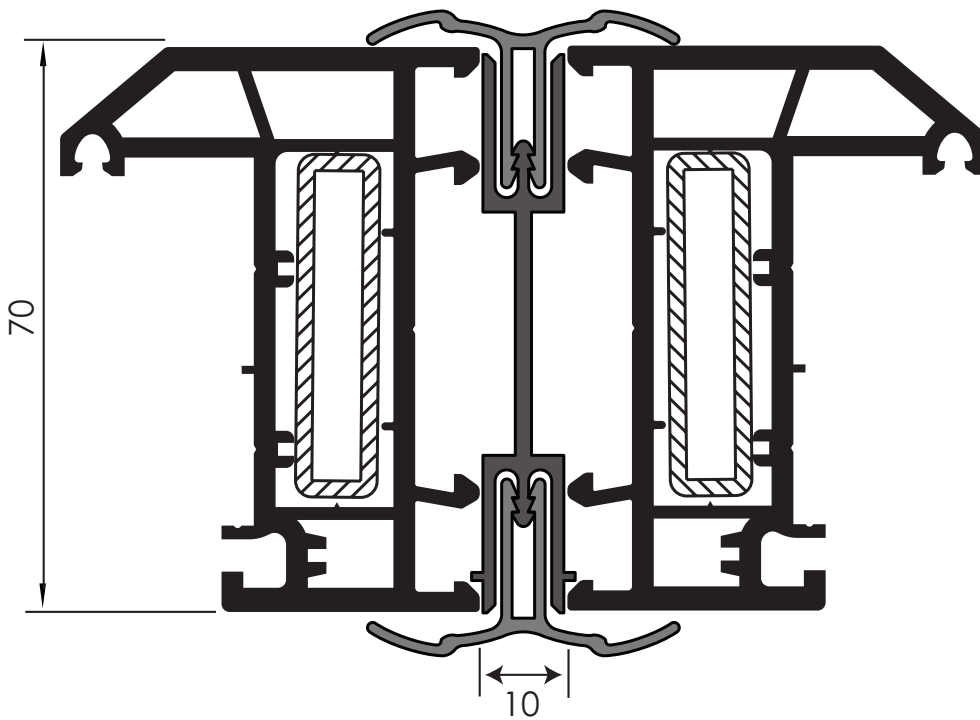
For further assistance, call 01702 613733

www.climatec-windows.co.uk

11-14 Fletchers Square, Temple Farm Industrial Estate, Southend-on-Sea, Essex SS2 5RN

10MM COUPLER

- ❖ This 10mm Coupler is great for coupling doors to stop 'whip'.
- ❖ Double leg clip detail – No snapping or braking in cold weather
- ❖ White and coloured foil trims available.
- ❖ Available for 70mm profile only.



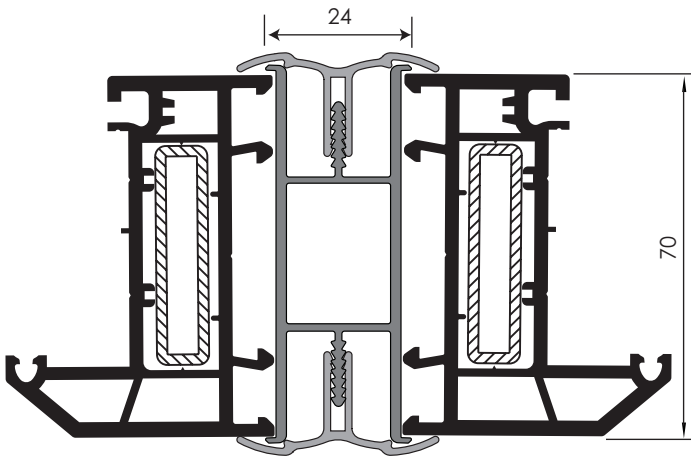
For further assistance, call 01702 613733

www.climatec-windows.co.uk

11-14 Fletchers Square, Temple Farm Industrial Estate, Southend-on-Sea, Essex SS2 5RN

24MM HEAVY DUTY COUPLERS

- ❖ Designed to work with 60mm or 70mm frames.
- ❖ Designed as a load bearing coupler when used with a bay jack.
- ❖ It has a 24mm frame deduction.
- ❖ Frames can be fixed through the frame rebate into the aluminium.
- ❖ Finishes available for 70mm frame option in white and all standard colours.



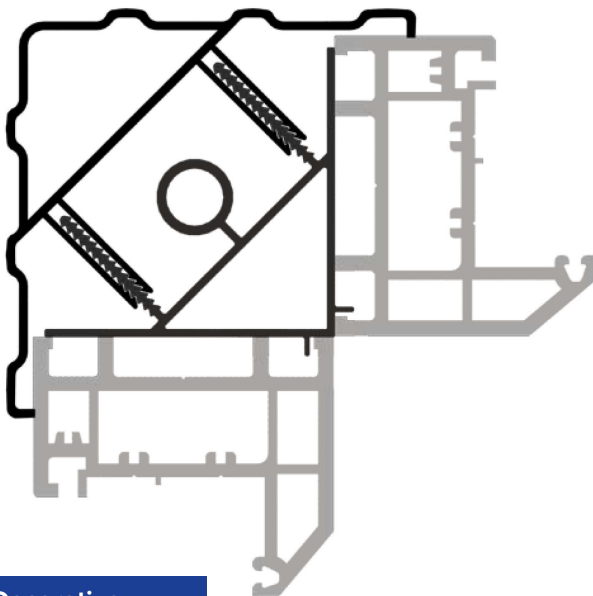
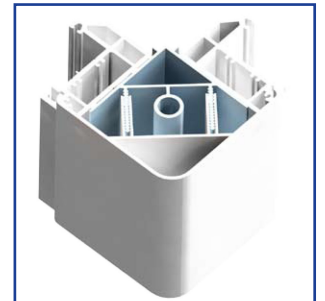
For further assistance, call 01702 613733

www.climatec-windows.co.uk

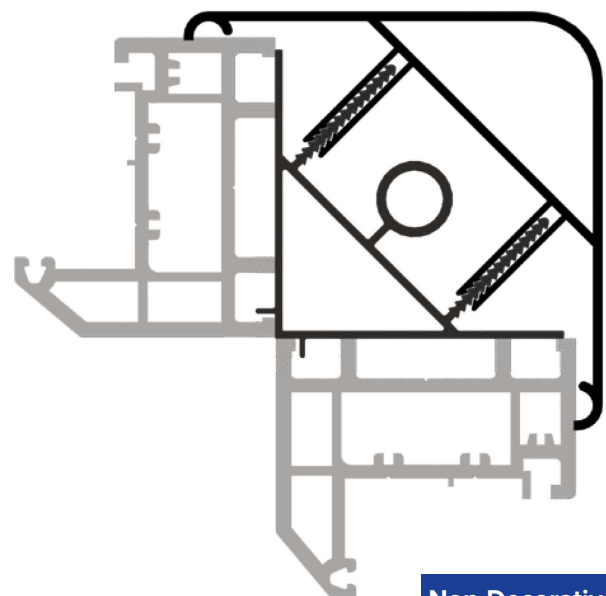
11-14 Fletchers Square, Temple Farm Industrial Estate, Southend-on-Sea, Essex SS2 5RN

90° CORNER POST

- ❖ Designed to accommodate window frames with a depth of 58mm-70mm.
- ❖ It is a 90° fixed angle.
- ❖ This product is loadbearing when assembly is screwed together and bay jack is used.
- ❖ Decorative and non decorative trims available.
- ❖ Trims are fitted last, making baypole jack adjustment easy.
- ❖ Finishes available - Non Decorative: white, golden oak, rosewood, mahogany and black. Decorative: All standard Colours.



Decorative



Non-Decorative

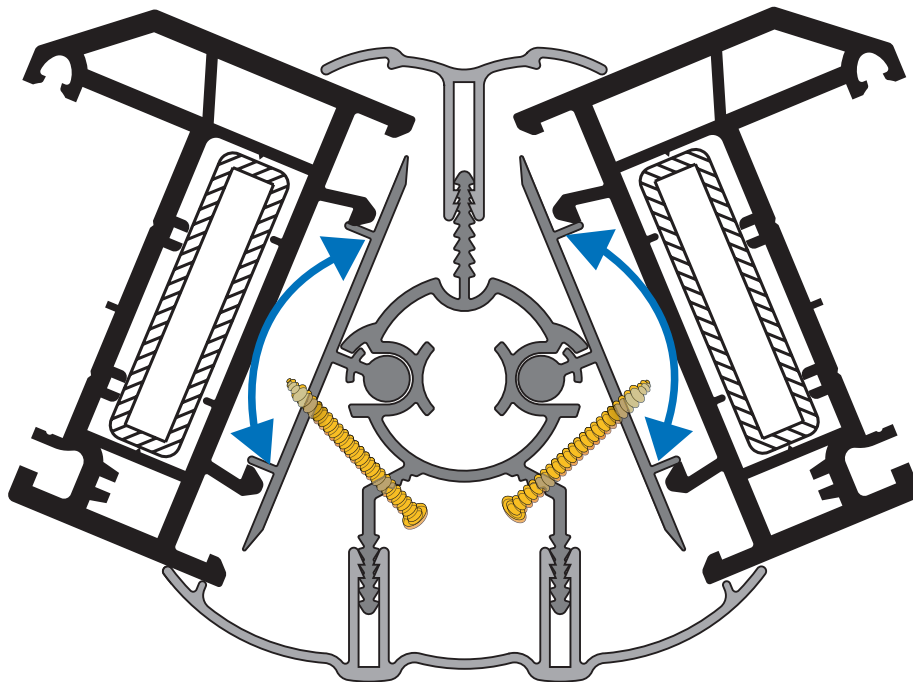
For further assistance, call 01702 613733

www.climatec-windows.co.uk

11-14 Fletchers Square, Temple Farm Industrial Estate, Southend-on-Sea, Essex SS2 5RN

VARIABLE ANGLE BAY POLE

- ❖ Variable angle baypole.
- ❖ Works with angles from 120° to 170°.
- ❖ Decorative trims are fitted last, making baypole jack adjustment easy.
- ❖ Inner trim gives neat detail to inside unlike conventional designs.
- ❖ This product is loadbearing when assembly is screwed together and bay jack is used.
- ❖ Finishes available - white and all standard colours.
- ❖ Available for REHAU 70mm only



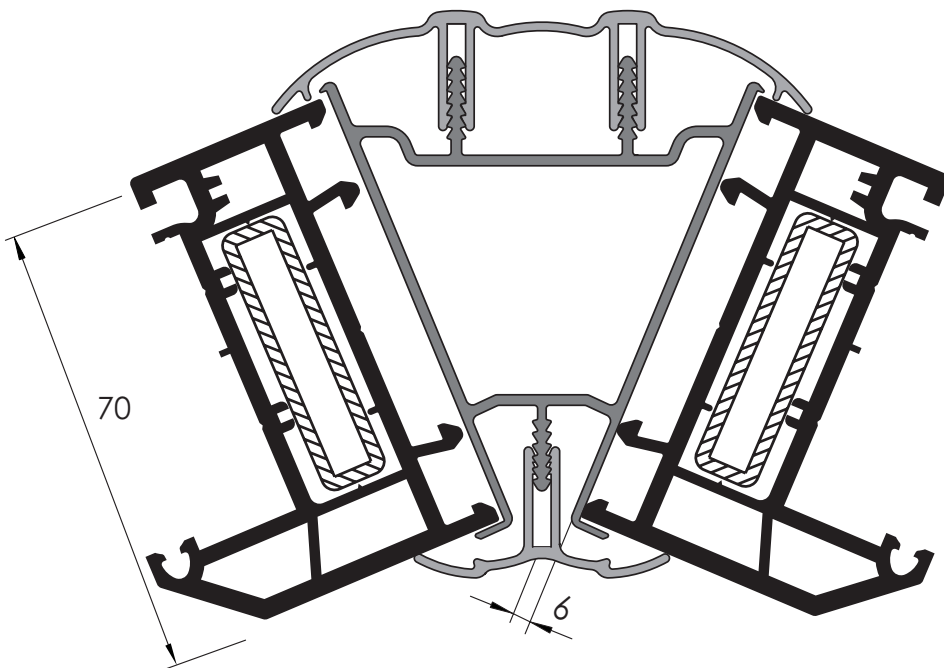
For further assistance, call 01702 613733

www.climatec-windows.co.uk

11-14 Fletchers Square, Temple Farm Industrial Estate, Southend-on-Sea, Essex SS2 5RN

135° FIXED ANGLE BAY POLE

- ❖ 135° fixed angle bay has a 6mm per side frame deduction.
- ❖ PVCu covers are fitted last making adjustment of bay jacks easier.
- ❖ This product is loadbearing when used with a bay jack.
- ❖ Finishes available - in white and all standard colours.
- ❖ Available for REHAU 70mm only



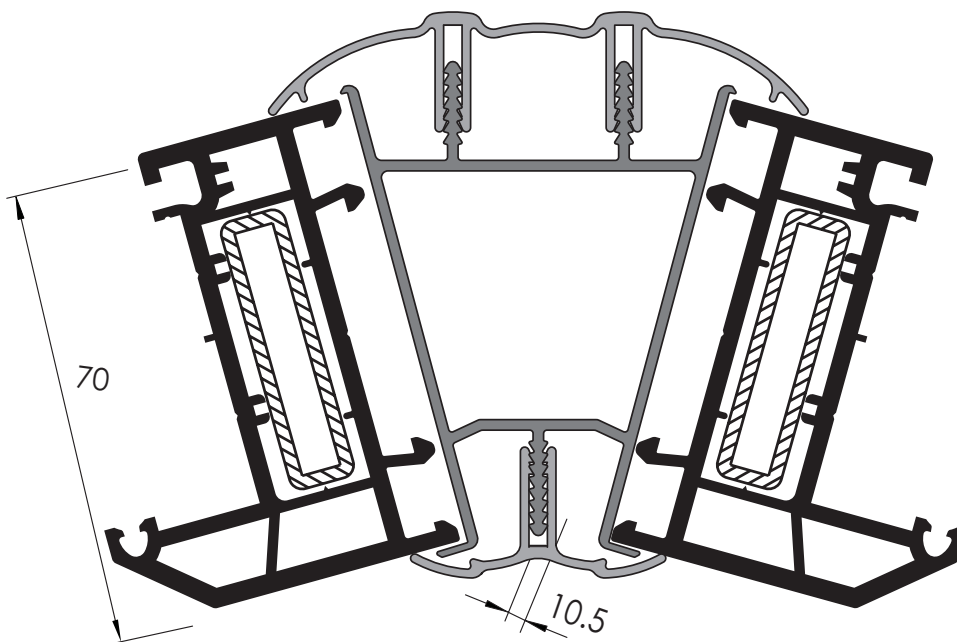
For further assistance, call 01702 613733

www.climatec-windows.co.uk

11-14 Fletchers Square, Temple Farm Industrial Estate, Southend-on-Sea, Essex SS2 5RN

150° FIXED ANGLE BAY POLE

- ❖ 135° fixed angle bay has a 10.5mm per side frame deduction.
- ❖ PVCu covers are fitted last making adjustment of bay jacks easier.
- ❖ This product is loadbearing when used with a bay jack.
- ❖ Finishes available - white and all standard colours.
- ❖ Available for REHAU 70mm only



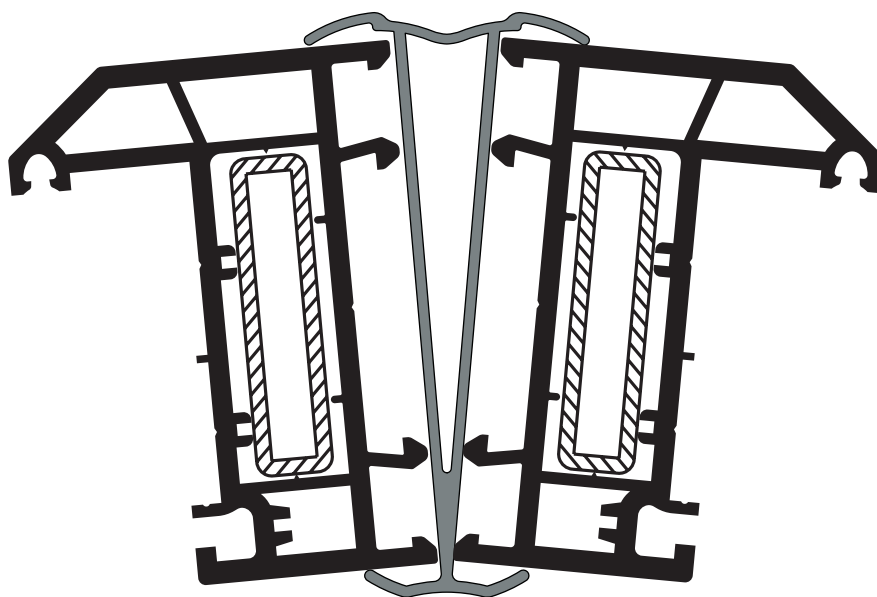
For further assistance, call 01702 613733

www.climatec-windows.co.uk

11-14 Fletchers Square, Temple Farm Industrial Estate, Southend-on-Sea, Essex SS2 5RN

152° - 179° BOW BAY POLE

- ❖ Designed for non loadbearing 70mm bow bay installations.
- ❖ Adding a 2mm sightline to the frame sizes for this common newbuild style where sightline is often a problem.
- ❖ Finishes available - white and all standard colours.
- ❖ Available for REHAU 70mm only



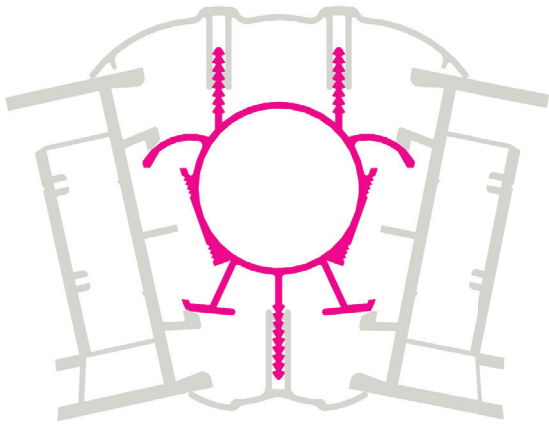
For further assistance, call 01702 613733

www.climatec-windows.co.uk

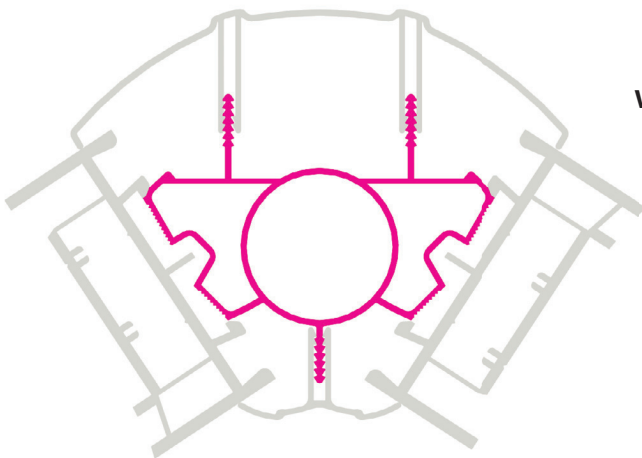
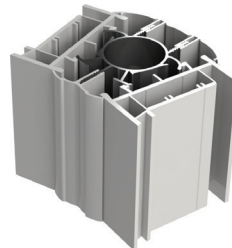
11-14 Fletchers Square, Temple Farm Industrial Estate, Southend-on-Sea, Essex SS2 5RN

90° - 170° EASY BAY

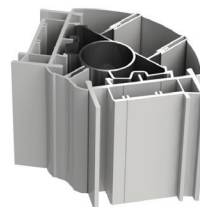
- ❖ 125°-170° and 90°-120° Easy Bay available
- ❖ This product is loadbearing when used with a bay jack.
- ❖ Finishes available - white and all standard colours.
- ❖ Available for REHAU 70mm only



WL122 - 125°-170° Easy Bay



WL123 - 90°-120° Easy Bay



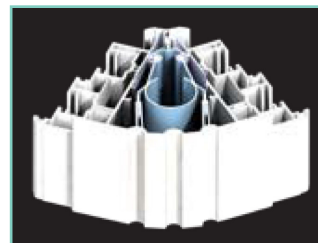
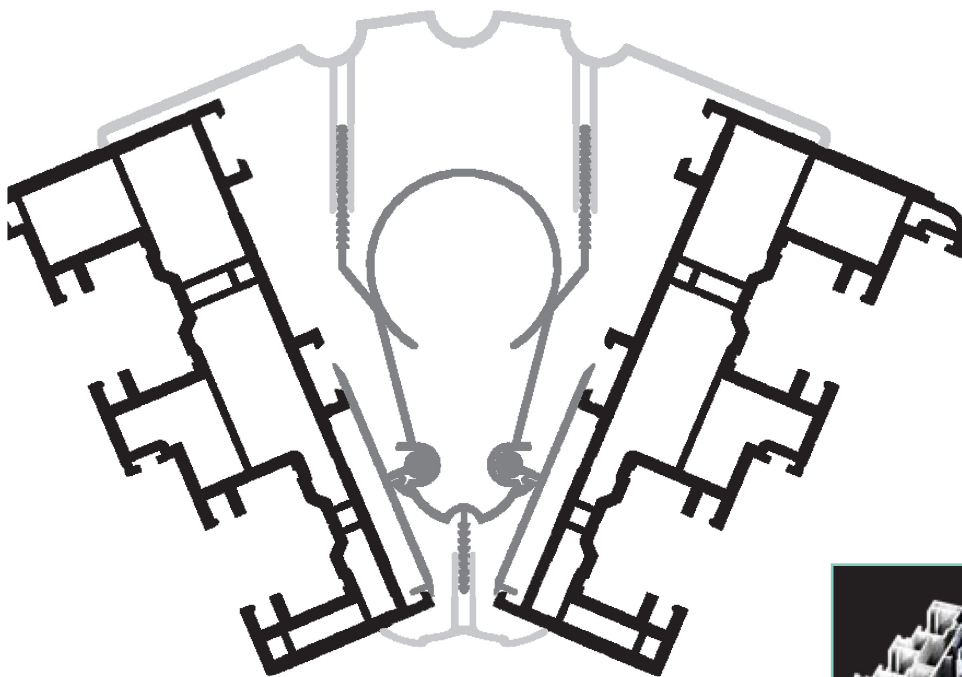
For further assistance, call 01702 613733

www.climatec-windows.co.uk

11-14 Fletchers Square, Temple Farm Industrial Estate, Southend-on-Sea, Essex SS2 5RN

VERTICAL SLIDER VARIABLE ANGLE BAY POLE

- ❖ Variable angle baypole.
- ❖ Works with angles from 120° to 160°.
- ❖ Decorative trims are fitted last, making baypole jack adjustment easy.
- ❖ Inner trim gives neat detail to inside unlike conventional designs.
- ❖ This product is loadbearing when assembly is screwed together and bay jack is used.
- ❖ Finishes available - white and all standard colours..
- ❖ Available for REHAU Heritage only



For further assistance, call 01702 613733

www.climatec-windows.co.uk

11-14 Fletchers Square, Temple Farm Industrial Estate, Southend-on-Sea, Essex SS2 5RN

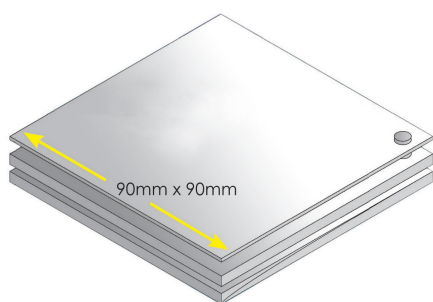
BAYPOLE JACKS & SPREADER PLATES

- ❖ Baypole jacks are FENSA compliant.
- ❖ Manufactured from Stainless Steel 304, the bases are designed to fit under the cill.
- ❖ The M16 thread pushes up through a hole drilled in the cill and the locknut and capstain wind onto the thread to support your pole.
- ❖ A spreaderplate for the top of the pole is also supplied so only one jack per pole is needed.



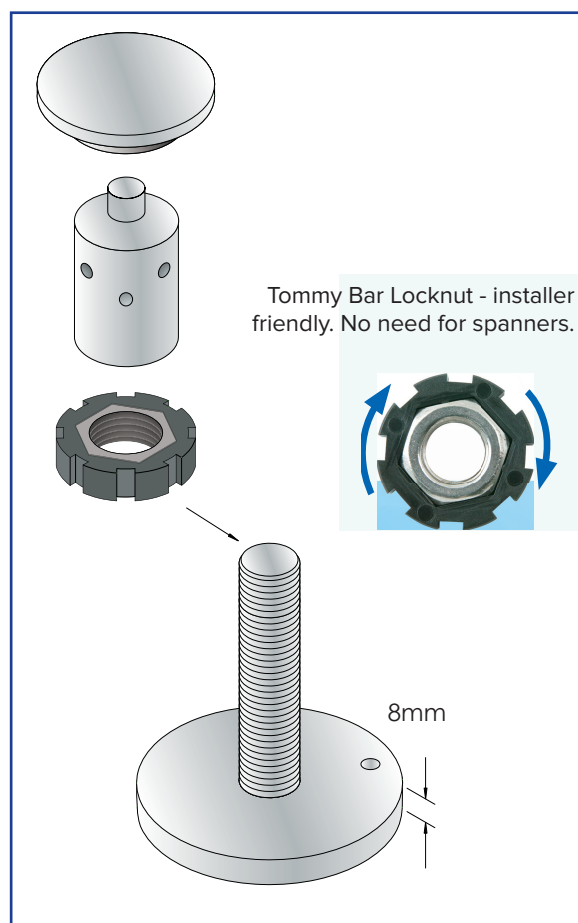
TECHNICAL SPECIFICATION

- ❖ Testing - Random tested to 4 tonnes compressions.
- ❖ Loading - Vertically applied loads of up to 2 Tonnes are permissible.
- ❖ Materials - Bases are manufactured from Stainless Steel 304. Capstains are made from aluminium or zinc plated mild steel.
- ❖ Locknuts - All jacks are supplied with Stainless Steel 304 locknuts, which should always be used.



3mm thick stainless steel spreaderplate for spreading loads.

Ideal for packing under jacks or poles when the brick is uneven or in poor condition.



For further assistance, call 01702 613733

www.climatec-windows.co.uk

11-14 Fletchers Square, Temple Farm Industrial Estate, Southend-on-Sea, Essex SS2 5RN