



DECEUNINCK SLIDER 24 DOOR HARDWARE

Inside:

- Yale Sliding Door Lock, Shootbolt Upgrade Kit & PAS24 Era Lock
- Sliding Door Handle Sets
- Standard 1*, Ultion 3* and Invincible 3* Cylinders
- Sliding Door Rollers

For further assistance, call 01702 613733

www.climatec-windows.co.uk

11-14 Fletchers Square, Temple Farm Industrial Estate, Southend-on-Sea, Essex SS2 5RN

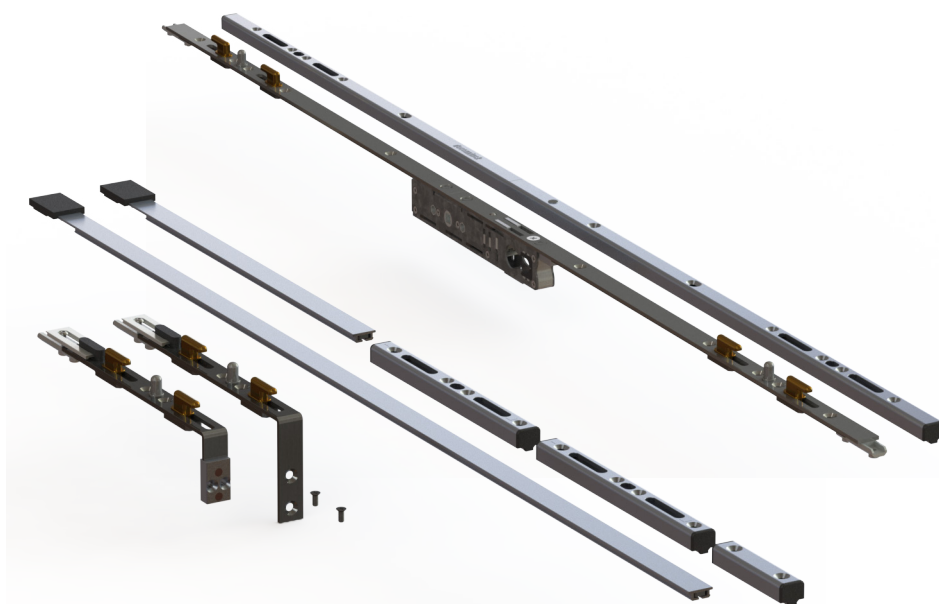
YALE STAINLESS STEEL 4 OR 6 HOOK SLIDING DOOR LOCK

- For use on the Deceuninck Slider24
- Features four or six solid steel locking hooks
- Bi-directional hook throw for additional security against jemmying
- Can be upgraded by fitting vertical shootbolts to provide additional locks or ventilation position
- 20mm backset
- PZ92mm centre case
- Corrosion resistance to EN1670:2007 Grade 4
- Tested to a minimum of 100,000 cycle operational lifespan



ERA PAS 24 HOOK LOCK WITH CORNER DRIVE

- Meets PAS24 Security standards for the Slider24+
- Bi-directional hook throw for additional security against jemmying
- Forged brass hooks
- 12 point locking
- Anti-lift device
- PAS 24/SBD certified



For further assistance, call 01702 613733

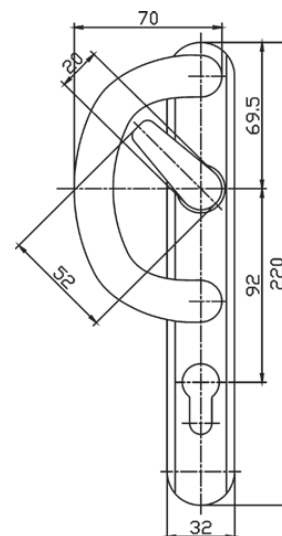
www.climatec-windows.co.uk

11-14 Fletchers Square, Temple Farm Industrial Estate, Southend-on-Sea, Essex SS2 5RN

GREENTEQ ALPHA PATIO PULL HANDLES

The Deceuninck Slider24 door is operated by the greenteQ Alpha patio pull handles. As part of the greenteQ suite, the handles are available in colours to perfectly match the window and residential door handles from the same collection.

- Six finishes available: White, Black, PVD Gold, Polished Chrome, Satin Chrome and Smokey Chrome.
- Available with or without a cylinder hole.
- Covered by the greenteQ 10 year guarantee



Blank external backplates available for use when the handle is only required on the inside of the door.

PEMBROKE INVINCIBLE HANDLE SET

The Deceuninck Slider24+ door is operated by the Pembroke Invincible door handle set. Used with the Invincible high security cylinder this enables the door to meet the requirements of Approved Document Q.

- Longer lever to ease operation
- Dedicated design to suit Invincible cylinder
- Available in White, Gold, Chrome & Graphite



For further assistance, call 01702 613733

www.climatec-windows.co.uk

11-14 Fletchers Square, Temple Farm Industrial Estate, Southend-on-Sea, Essex SS2 5RN

GREENTEQ GAMMA Q-STAR SECURITY CYLINDER

The greenteQ Gamma Q-Star Profile Cylinder is TS007:2014 approved and has achieved 1 Star rating.

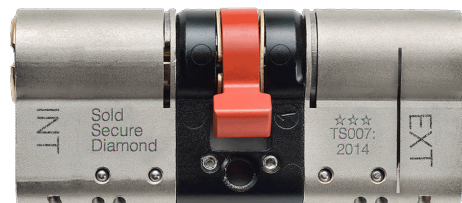
A premium quality product that features protection against bumping, picking and drilling. Both sides also have a sacrificial break point to hamper attempts to gain entry by snapping the cylinder.



ULTION 3* SECURITY CYLINDER

The Ultion lock has been tested to the needs of the British Standard TS007 3 star, without having to be bolstered with an expensive high security handle or guard.

When Ultion is locked it is the actual centre cam that gets independently secured, not secured to the internal plug – this means that even when the key is left on the inside of the lock, Ultion is still secure.



INVINCIBLE CYLINDER

The Deceuninck Slider24+ Document Q compliant sliding door comes with the Invincible Cylinder. Reinforced with 5 times more metal than a standard cylinder, the 6 hardened high security pins for the ultimate anti-pick, drill and bump resistance.

It's robust shape is a strong visual deterrent and it has been independently tested to British Standard Kitemark TS007 and Secured by Design accredited.



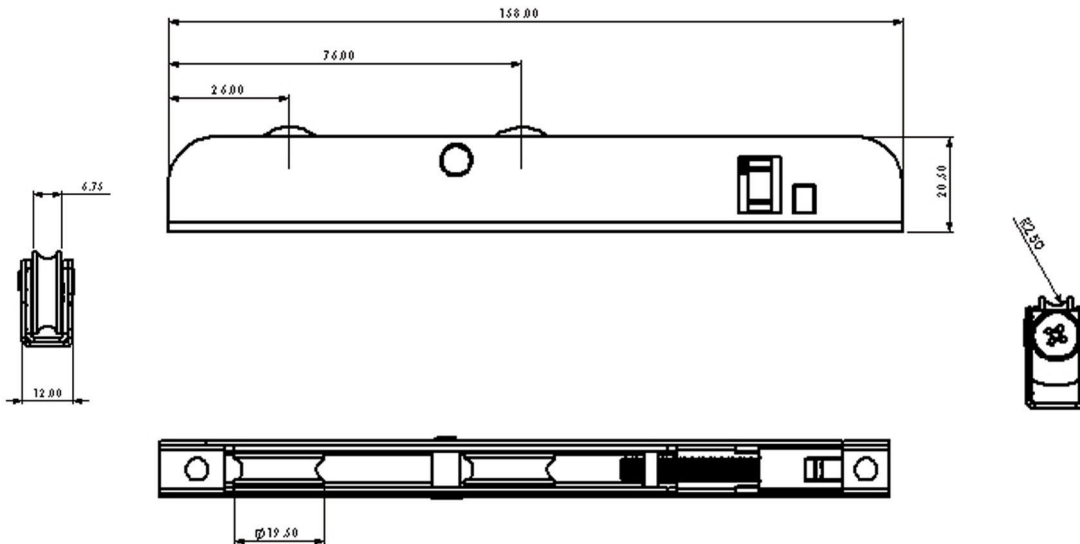
For further assistance, call 01702 613733

www.climatec-windows.co.uk

11-14 Fletchers Square, Temple Farm Industrial Estate, Southend-on-Sea, Essex SS2 5RN

SLIDING DOOR ROLLERS

- Up to 120kg sash weight
- The Ferritic case and rollers will withstand 96 hours neutral salt spray attack.
- Vertical Adjustment of 8mm has been built in



For further assistance, call 01702 613733

www.climatec-windows.co.uk

11-14 Fletchers Square, Temple Farm Industrial Estate, Southend-on-Sea, Essex SS2 5RN