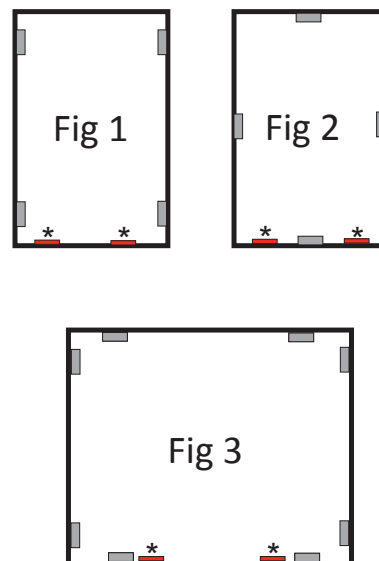
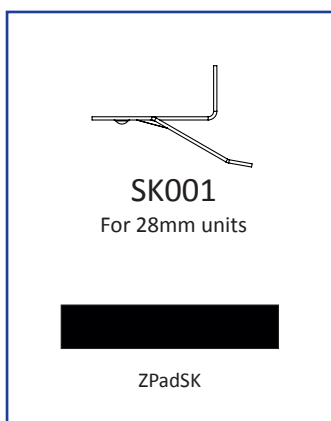
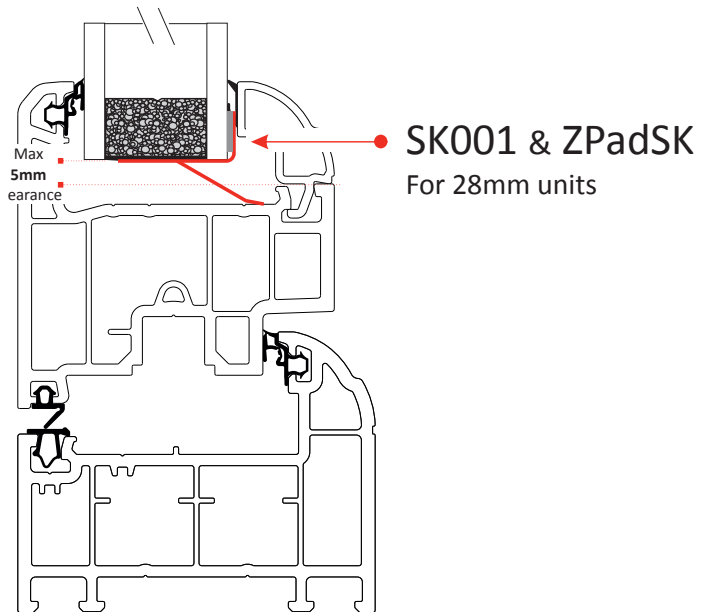


## GT Snap-Lok for Deceuninck Flush Sash

The GT Snap-Lok is a clip system for retaining glass units on internally glazed windows and doors.

This innovative designed clip, when fitted in the appropriate numbers and positions, will assist windows and doors to meet the requirements for PAS24.

- For a 28mm unit up to 900mm width and 1200mm height, fit a minimum of 4 GT Snap-Loks as shown in Fig 1 and Fig 2.
- For unit sizes larger than the above, then it is advisable to fit additional clips as shown in Fig 3.
- Fit glazing packers on the bottom rail shown marked with \*, and place the glass unit into the frame.
- Attach a ZPadSK to each clip and remove the blue cover paper. This will now allow the clip to stick to the unit when in position.
- Push all GT Snap-Lok clips into place prior to packing the unit.



**For further assistance, call 01702 613733**

[www.climatec-windows.co.uk](http://www.climatec-windows.co.uk)

11-14 Fletchers Square, Temple Farm Industrial Estate, Southend-on-Sea, Essex SS2 5RN