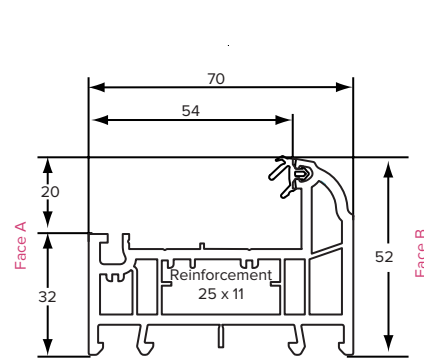
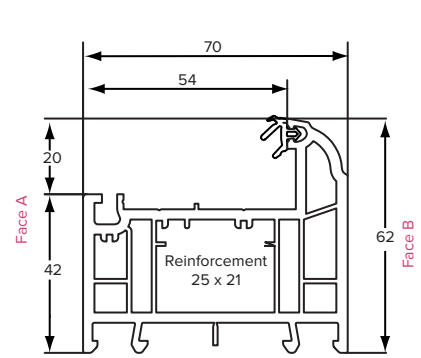


REHAU RIO FLUSH FIT 70MM SYSTEM

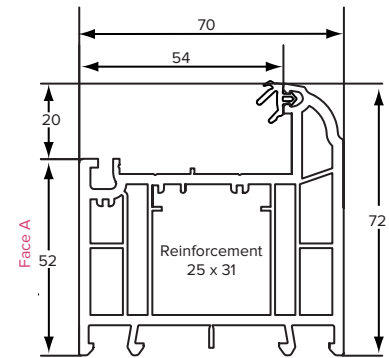
Main Profiles Note: The below foiled part numbers will precede a 3 digit colour variant number



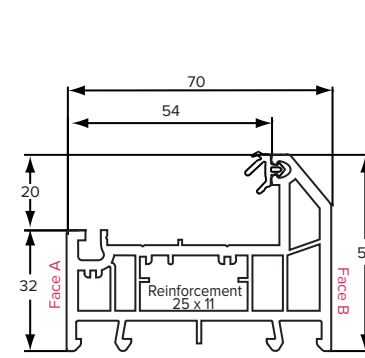
546415
586415 (Foiled)
**SCULPTURED SLIM OUTER
FRAME 52MM (5 CHAMBERS)**



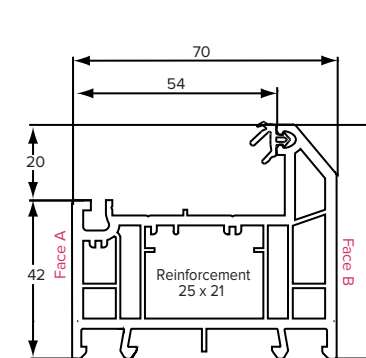
546425
586425 (Foiled)
**SCULPTURED INTERMEDIATE OUTER
FRAME 62MM (5 CHAMBERS)**



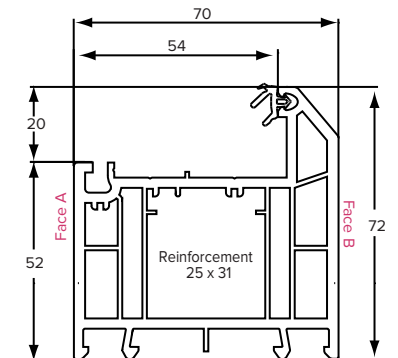
546435
586435 (Foiled)
**SCULPTURED UNIVERSAL OUTER
FRAME 72MM (5 CHAMBERS)**



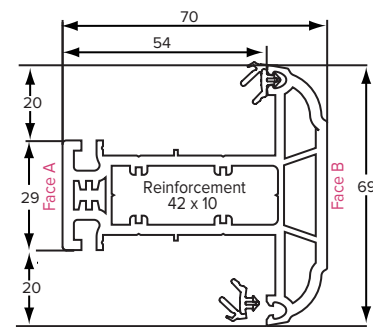
546816
586816 (Foiled white base)
586815 (Foiled coloured base)
**CHAMFERED SLIM OUTER
FRAME 52MM (5 CHAMBER)**



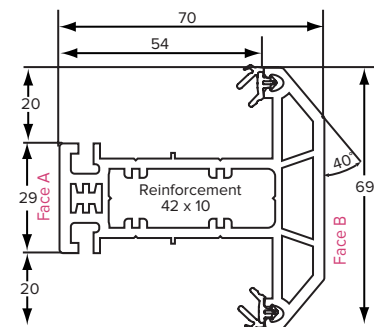
546826
586826 (Foiled white base)
586825 (Foiled coloured base)
**CHAMFERED INTERMEDIATE OUTER
FRAME 62MM (5 CHAMBER)**



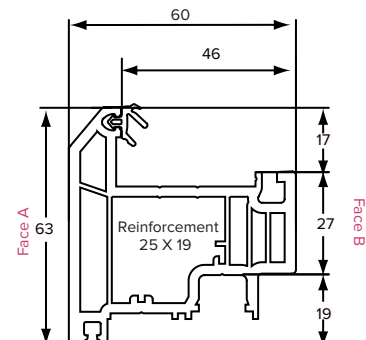
546836
586836 (Foiled white base)
586835 (Foiled coloured base)
**CHAMFERED LARGE OUTER
FRAME 72MM (5 CHAMBER)**



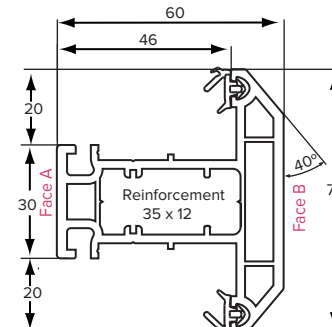
546665
576665 (Foiled)
**SCULPTURED SLIM
TRANSOM/MULLION 'T' 69MM**



546085
576265 (Foiled)
**SLIM TRANSOM/
MULLION 'T' 69MM**

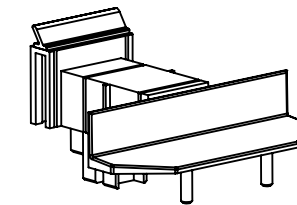


546015
586015 (Foiled)
63MM FLUSH SASH

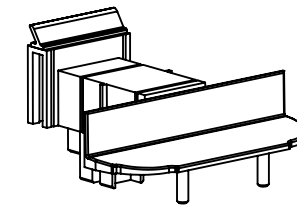


503555
573555 (Foiled)
**70MM SASH
TRANSOM-MULLION**

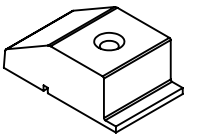
Ancillaries



328224
**DUMMY MULLION END CAP
CHAMFERED - FOR USE WITH 546085**

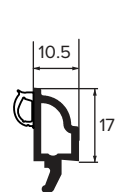


329331
**DUMMY MULLION END CAP
SCULPTURED - FOR USE WITH 546665**

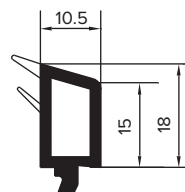


329648
**SASH RISER
BLOCK**

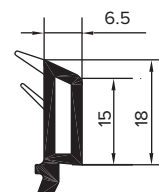
Glazing



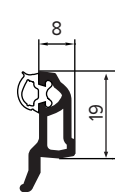
559600
589600 (Foiled)
28MM SCULPTURED BEAD



560590
**FLAT GLAZING BEAD
FOR 28MM SEALED UNITS**



560580
594330 (Foiled)
**FLAT GLAZING BEAD
FOR 32MM SEALED UNITS**



546860
586865 (Foiled)
**OGEE GLAZING BEAD
FOR 34MM SEALED UNITS**

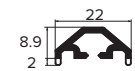


329649
**CLOSING SEAL GASKET
FOR FLUSH SASH (546015)**



328218
**BEAD INFILL
GASKET**

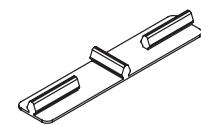
Georgian Bars



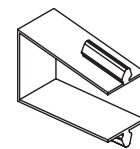
559251
589251 (Foiled)
**CHAMFERED GEORGIAN
BAR CO-EX**



559261
589261 (Foiled)
**SCULPTURED GEORGIAN
BAR CO-EX**



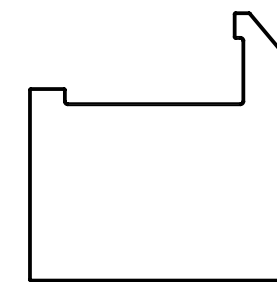
200283
**GEORGIAN BAR
CRUCIFORM CLIP**



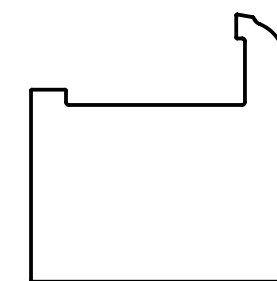
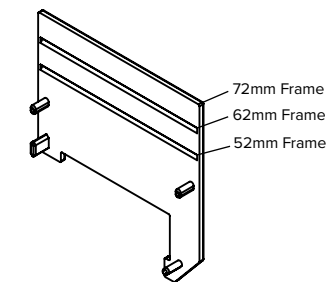
200344
**GEORGIAN BAR
CLIP 28MM**



328217
**WELDABLE CORNER
GASKET (EPDM)**



329228
**CHAMFERED FRAME CUT & SNAP
END CAP FOR USE WITH 546816, 546826 & 546836**



328221
**SCULPTURED FRAME CUT & SNAP
END CAP FOR USE WITH 546415, 546425 & 546435**

