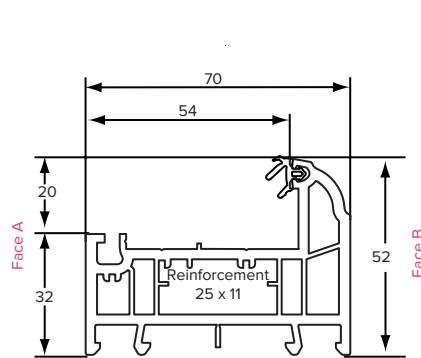
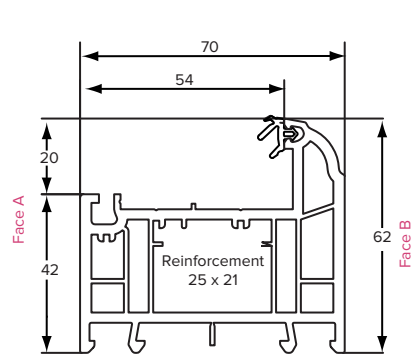


REHAU RIO FLUSH FIT 70MM SYSTEM

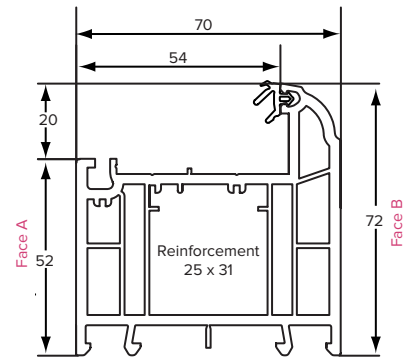
Main Profiles Note: The below foiled part numbers will precede a 3 digit colour variant number



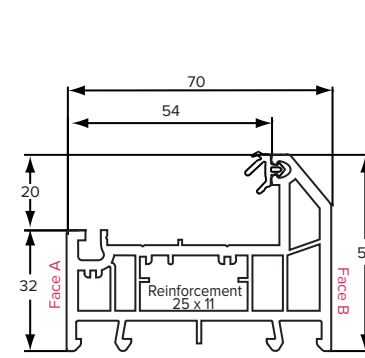
546415
586415 (Foiled)
SCULPTURED SLIM OUTER FRAME 52MM (5 CHAMBERS)



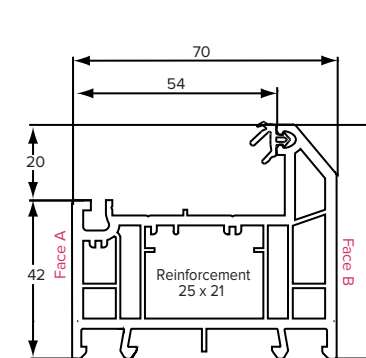
546425
586425 (Foiled)
SCULPTURED INTERMEDIATE OUTER FRAME 62MM (5 CHAMBERS)



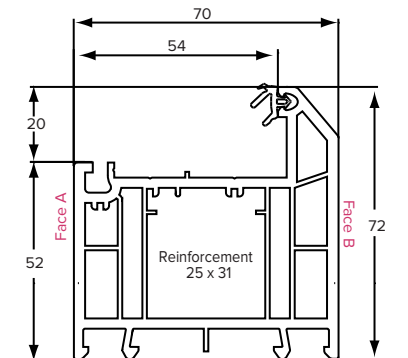
546435
586435 (Foiled)
SCULPTURED UNIVERSAL OUTER FRAME 72MM (5 CHAMBERS)



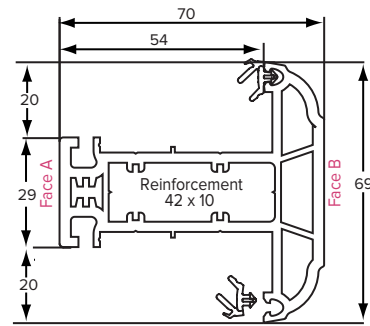
546816
586816 (Foiled white base)
586815 (Foiled coloured base)
CHAMFERED SLIM OUTER FRAME 52MM (5 CHAMBER)



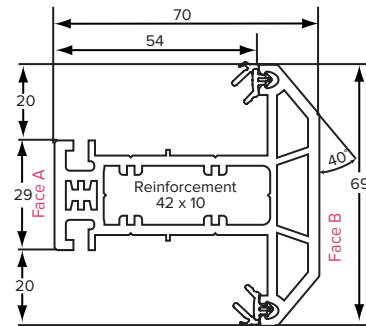
546826
586826 (Foiled white base)
586825 (Foiled coloured base)
CHAMFERED INTERMEDIATE OUTER FRAME 62MM (5 CHAMBER)



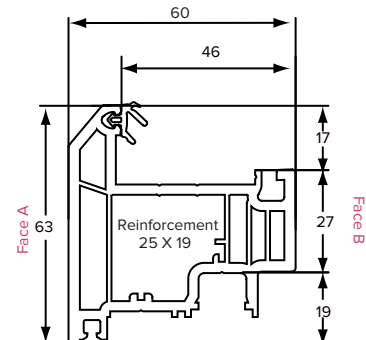
546836
586836 (Foiled white base)
586835 (Foiled coloured base)
CHAMFERED LARGE OUTER FRAME 72MM (5 CHAMBER)



546665
576665 (Foiled)
SCULPTURED SLIM TRANSOM/MULLION 'T' 69MM

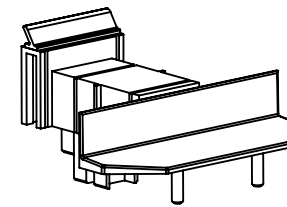


546085
576265 (Foiled)
SLIM TRANSOM/MULLION 'T' 69MM

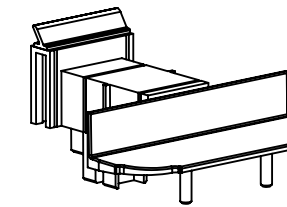


546015
586015 (Foiled)
63MM FLUSH SASH

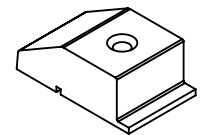
Ancillaries



328224
DUMMY MULLION END CAP CHAMFERED - FOR USE WITH 546085

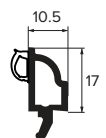


329331
DUMMY MULLION END CAP SCULPTURED - FOR USE WITH 546665



329648
SASH RISER BLOCK

Glazing



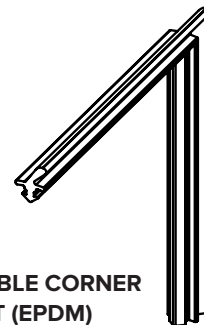
559600
589600 (Foiled)
28MM SCULPTURED BEAD



329649
CLOSING SEAL GASKET FOR FLUSH SASH (546015)



328218
BEAD INFILL GASKET



328217
WELDABLE CORNER GASKET (EPDM)

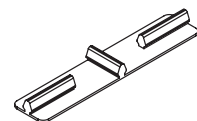
Georgian Bars



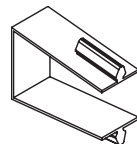
559251
589251 (Foiled)
CHAMFERED GEORGIAN BAR CO-EX



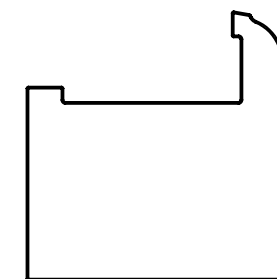
559261
589261 (Foiled)
SCULPTURED GEORGIAN BAR CO-EX



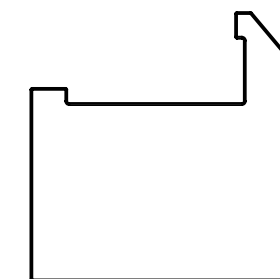
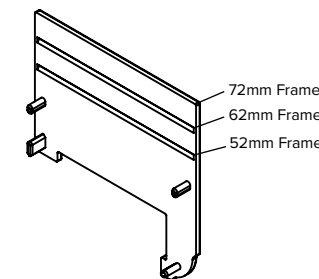
200283
GEORGIAN BAR CRUCIFORM CLIP



200344
GEORGIAN BAR CLIP 28MM



328221
SCULPTURED FRAME CUT & SNAP END CAP FOR USE WITH 546415, 546425 & 546435



329228
CHAMFERED FRAME CUT & SNAP END CAP FOR USE WITH 546816, 546826 & 546836

